



# Aseptic Valves



The valve body of the **RIEGER Aseptic Valves** is hermetically sealed against environment and this guarantees complete security for your liquid products. The design of the valve bodies eliminating dead space and the optimized surfaces make them a prerequisite for sterile process engineering. Due to the building block system the change from aseptic to hygienic, from “air to open” to “air to close”, from liquid to fibrous and granular media is possible without problems. Also the installation dimensions can be customized to the givens in place.

Under special conditions such as high sterilization temperatures, RIEGER Aseptic valves fulfill all demands on operational security and reliable function.

## Your advantages

<b>Design</b>	solid valve body no dead spaces completely draining many built-in positions possible
<b>Product safety</b>	hermetically sealed against environment no dome or sump in product space
<b>Maintenance</b>	change of seals without special tools less standing times optimum cleanability <b>screwed-in bellows</b>
<b>Efficiency</b>	long life of the PTFE bellows standard seals low spare part costs

## Technical Data

<b>Material</b>	in product contact	1.4404/AISI316L
	optional	1.4435/AISI316L
	non product contact	1.4301/AISI304
<b>Seals</b>	PTFE bellows	PTFE
	metal bellows	1.4571/1.4404
	O-rings/seals	EPDM
<b>Temperatures</b>	maximum	EPDM PTFE
	operating temperature	130 °C* 121 °C* (250 °F) (266 °F)
	sterilizing temperature	150 °C* 135 °C* (275 °F) (300 °F) short-time (approx. 20 min)
	<b>Operating pressure</b>	closing pressure
<b>Surfaces</b>	in product contact	Ra <= 0,8 µm (32 µin)
	optional	electro polished, other surfaces upon request
	no product contact	Ra <=1,6 µm (63 µin)
<b>Connections Standard pipes</b>	DIN 11850-R2 (DIN 11866 A)	
	O.D. tube (DIN 11866 C)	
	DIN EN ISO 1127 (DIN 11866-B)	

\* dependent upon operating conditions



**3-A versions available**

see 3-A certificate  
on website  
[www.rr-rieger.de](http://www.rr-rieger.de)



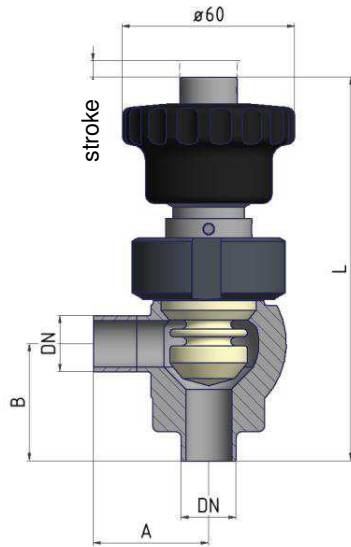


# Aseptic Valves



## Aseptic Right Angle Valve Type L

manual with plastic hand wheel

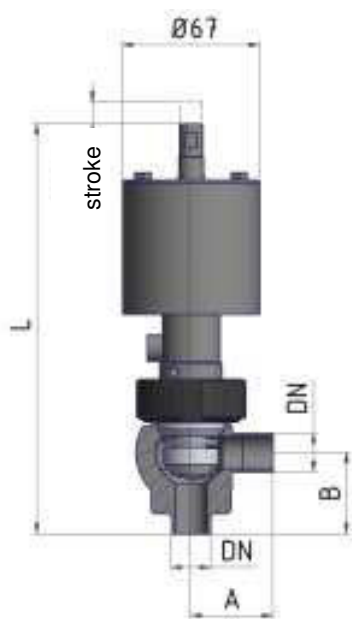


DIN	Pipe	A	B	L	Stroke	kg
10	13 x 1,5	35	35	125	5	1,6
15	19 x 1,5	40	40	130	5	1,6
20	23 x 1,5	45	45	135	5	1,6

Inch	Pipe	A	B	L	Stroke	kg
1/2"	12,7 x 1,65	35	35	125	5	1,6
3/4"	19,05 x 1,65	40	40	130	5	1,6

## Aseptic Right Angle Valve Type L

pneumatic – air to open-spring to close NC



DIN	Pipe	A	B	L	Stroke	kg
10	13 x 1,5	35	35	200	5	2,5
15	19 x 1,5	40	40	205	5	2,5
20	23 x 1,5	45	45	210	5	2,5

Inch	Pipe	A	B	L	Stroke	kg
1/2"	12,7 x 1,65	35	35	200	5	2,5
3/4"	19,05 x 1,65	40	40	205	5	2,5



# Aseptic Valves



## Aseptic Right Angle Valve Type L

manual with plastic hand wheel

### PTFE bellows

DIN	Reference Number	Price
10	40004.2000.05.0001.32	427 €
15	40004.2000.05.0002.32	427 €
20	40004.2000.05.0003.32	427 €

Inch	Reference Number	Price
1/2"	40004.2000.05.0022.32	427 €
3/4"	40004.2000.05.0023.32	427 €

## Aseptic Right Angle Valve Type L

pneumatic – air to open-spring to close NC

### PTFE bellows

DIN	Reference Number	Price
10	40001.2000.05.0001.32	593 €
15	40001.2000.05.0002.32	593 €
20	40001.2000.05.0003.32	593 €

Inch	Reference Number	Price
1/2"	40001.2000.05.0022.32	593 €
3/4"	40001.2000.05.0023.32	593 €

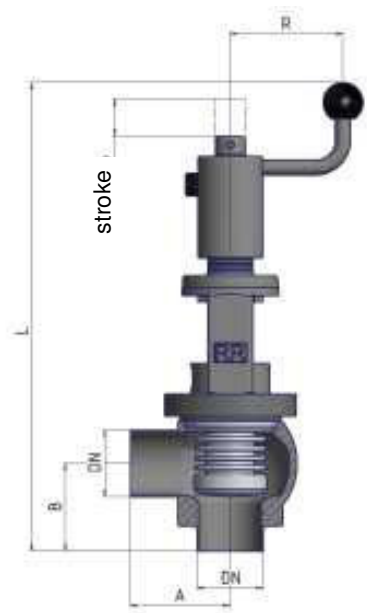


# Aseptic Valves



## Aseptic Right Angle Valve Type L

manual with crank handle



DN	Pipe	A	B	R	L	Stroke	kg	
25	29 x 1,5	50	50	73	310	7	3,1	
40	41 x 1,5	60	60	73	330	9	5,3	
50	53 x 1,5	80	70	90	400	12	5,7	
65	70 x 2	100	80	90	415	16	7,6	
80	85 x 2	125	90	90	445	18	10,3	
100	104 x 2	150	100	90	465	23	14,3	
1"	25,4 x 1,65					7	3,1	
1 1/2"	38,1 x 1,65	In case of order					9	5,3
2"	50,8 x 1,65	you get a 3D step file					12	5,7
2 1/2"	63,5 x 1,65	for your design department.					15	7,6
3"	76,2 x 1,65						18	10,3
4"	101,6 x 2,11						23	14,3

## Aseptic Right Angle Valve Type L

pneumatic – air to open-spring to close NC



DN	Pipe	A	B	D	L	Stroke	kg	
25	29 x 1,5	50	50	90	310	7	5,1	
40	41 x 1,5	60	60	90	325	9	6,2	
50	53 x 1,5	80	70	110	384	12	10,4	
65	70 x 2	100	80	133	445	16	15,2	
80	85 x 2	125	90	160	509	18	24,7	
100	104 x 2	150	100	168	527	23	28,6	
1"	25,4 x 1,65					7	5,1	
1 1/2"	38,1 x 1,65	In case of order					9	6,2
2"	50,8 x 1,65	you get a 3D step file					12	10,4
2 1/2"	63,5 x 1,65	for your design department.					16	15,2
3"	76,2 x 1,65						18	24,7
4"	101,6 x 2,11						23	28,6



# Aseptic Valves



## Aseptic Right Angle Valve Type L

manual with crank handle

DN	PTFE bellows		Metal bellows	
	Reference Number	Price	Reference Number	Price
25	40040.2000.05.0004.32	516 €	40040.3000.01.0004.32	831 €
40	40040.2000.05.0006.32	593 €	40040.3000.01.0006.32	992 €
50	40040.2000.05.0007.32	654 €	40040.3000.01.0007.32	1043 €
65	40040.2000.05.0008.32	920 €	40040.3000.01.0008.32	1380 €
80	40040.2000.05.0009.32	1380 €	40040.3000.01.0009.32	1943 €
100	40040.2000.05.0010.32	1585 €	40040.3000.01.0010.32	2756 €
1"	40040.2000.05.0024.32	516 €	40040.3000.01.0024.32	831 €
1 1/2"	40040.2000.05.0026.32	593 €	40040.3000.01.0026.32	992 €
2"	40040.2000.05.0027.32	654 €	40040.3000.01.0027.32	1043 €
2 1/2"	40040.2000.05.0028.32	920 €	40040.3000.01.0028.32	1380 €
3"	40040.2000.05.0029.32	1380 €	40040.3000.01.0029.32	1943 €
4"	40040.2000.05.0030.32	1585 €	40040.3000.01.0030.32	2756 €

## Aseptic Right Angle Valve Type L

pneumatic – air to open-spring to close NC

DN	PTFE bellows		Metal bellows	
	Reference Number	Price	Reference Number	Price
25	40010.2000.05.0004.32	716 €	40010.3000.01.0004.32	1061 €
40	40010.2000.05.0006.32	833 €	40010.3000.01.0006.32	1197 €
50	40010.2000.05.0007.32	890 €	40010.3000.01.0007.32	1294 €
65	40010.2000.05.0008.32	1329 €	40010.3000.01.0008.32	1789 €
80	40010.2000.05.0009.32	1841 €	40010.3000.01.0009.32	2377 €
100	40010.2000.05.0010.32	2045 €	40010.3000.01.0010.32	3216 €
1"	40010.2000.05.0024.32	716 €	40010.3000.01.0024.32	1061 €
1 1/2"	40010.2000.05.0026.32	833 €	40010.3000.01.0026.32	1197 €
2"	40010.2000.05.0027.32	890 €	40010.3000.01.0027.32	1294 €
2 1/2"	40010.2000.05.0028.32	1329 €	40010.3000.01.0028.32	1789 €
3"	40010.2000.05.0029.32	1841 €	40010.3000.01.0029.32	2377 €
4"	40010.2000.05.0030.32	2045 €	40010.3000.01.0030.32	3216 €

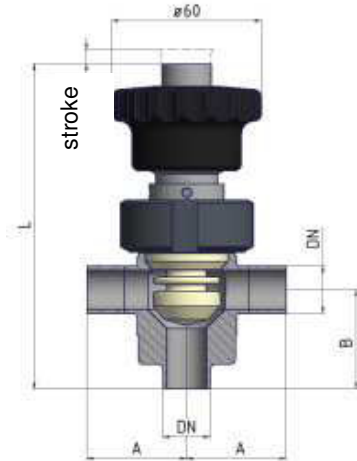


# Aseptic Valves



## Aseptic Double Right Angle Valve Type T

manual with plastic hand wheel

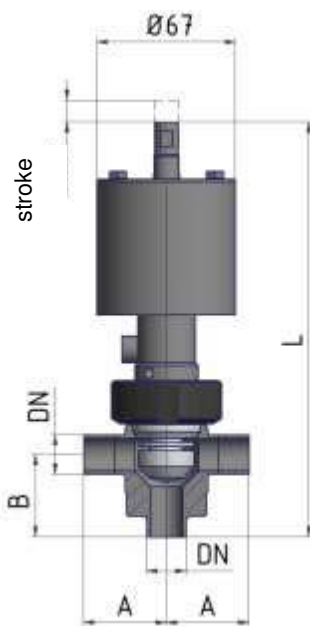


DIN	Pipe	A	B	L	Stroke	kg
10	13 x 1,5	35	35	125	5	1,6
15	19 x 1,5	40	40	130	5	1,6
20	23 x 1,5	45	45	135	5	1,6

Inch	Pipe	A	B	L	Stroke	kg
1/2"	12,7 x 1,65	35	35	125	5	1,6
3/4"	19,05 x 1,65	40	40	130	5	1,6

## Aseptic Double Right Angle Valve Type T

pneumatic – air to open-spring to close NC



DIN	Pipe	A	B	L	Stroke	kg
10	13 x 1,5	35	35	200	5	2,5
15	19 x 1,5	40	40	205	5	2,5
20	23 x 1,5	45	45	210	5	2,5

Inch	Pipe	A	B	L	Stroke	kg
1/2"	12,7 x 1,65	35	35	200	5	2,5
3/4"	19,05 x 1,65	40	40	205	5	2,5



## Aseptic Double Right Angle Valve Type T

manual with plastic hand wheel

### PTFE bellows

DIN	Reference Number	Price
10	40104.2000.05.0001.32	514 €
15	40104.2000.05.0002.32	514 €
20	40104.2000.05.0003.32	514 €

Inch	Reference Number	Price
1/2"	40104.2000.05.0022.32	514 €
3/4"	40104.2000.05.0023.32	514 €

## Aseptic Double Right Angle Valve Type T

pneumatic – air to open-spring to close NC

### PTFE bellows

DIN	Reference Number	Price
10	40101.2000.05.0001.32	680 €
15	40101.2000.05.0002.32	680 €
20	40101.2000.05.0003.32	680 €

Inch	Reference Number	Price
1/2"	40101.2000.05.0022.32	680 €
3/4"	40101.2000.05.0023.32	680 €

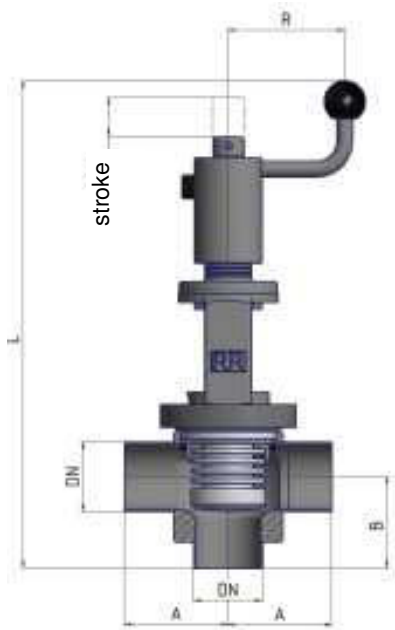


# Aseptic Valves



## Aseptic Double Right Angle Valve Type T

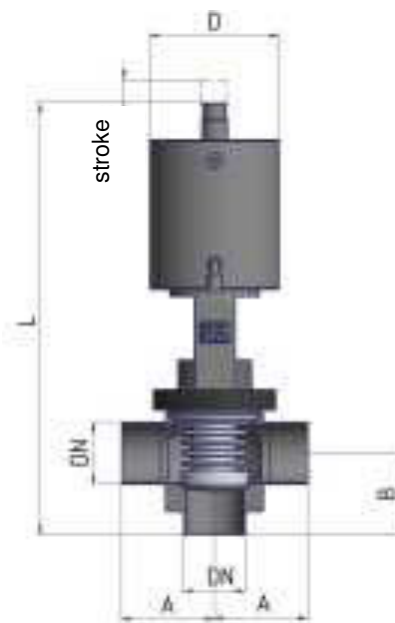
manual with crank handle



DN	Pipe	A	B	R	L	Stroke	kg	
25	29 x 1,5	50	50	73	310	7	3,1	
40	41 x 1,5	60	60	73	330	9	5,3	
50	53 x 1,5	80	70	90	400	12	5,7	
65	70 x 2	100	80	90	415	16	7,6	
80	85 x 2	125	90	90	445	18	10,3	
100	104 x 2	150	100	90	465	23	14,3	
1"	25,4 x 1,65					7	5,1	
1 1/2"	38,1 x 1,65	In case of order					9	6,2
2"	50,8 x 1,65	you get a 3D step file					12	10,4
2 1/2"	63,5 x 1,65	for your design department.					16	15,2
3"	76,2 x 1,65					18	24,7	
4"	101,6 x 2,11					23	28,6	

## Aseptic Double Right Angle Valve Type T

pneumatic – air to open-spring to close NC



DN	Pipe	A	B	D	L	Stroke	kg	
25	29 x 1,5	50	50	90	310	7	3,1	
40	41 x 1,5	60	60	90	325	9	5,3	
50	53 x 1,5	80	70	110	384	12	5,7	
65	70 x 2	100	80	133	445	16	7,6	
80	85 x 2	125	90	160	509	18	10,3	
100	104 x 2	150	100	168	527	23	14,3	
1"	25,4 x 1,65					7	5,1	
1 1/2"	38,1 x 1,65	In case of order					9	6,2
2"	50,8 x 1,65	you get a 3D step file					12	10,4
2 1/2"	63,5 x 1,65	for your design department.					16	15,2
3"	76,2 x 1,65					18	24,7	
4"	101,6 x 2,11					23	28,6	





## Aseptic Double Right Angle Valve Type T

manual with crank handle

DN	PTFE bellows		Metal bellows	
	Reference Number	Price	Reference Number	Price
25	40140.2000.05.0004.32	562 €	40140.3000.01.0004.32	877 €
40	40140.2000.05.0006.32	670 €	40140.3000.01.0006.32	1069 €
50	40140.2000.05.0007.32	736 €	40140.3000.01.0007.32	1125 €
65	40140.2000.05.0008.32	997 €	40140.3000.01.0008.32	1457 €
80	40140.2000.05.0009.32	1457 €	40140.3000.01.0009.32	2019 €
100	40140.2000.05.0010.32	1687 €	40140.3000.01.0010.32	2858 €
1"	40140.2000.05.0024.32	562 €	40140.3000.01.0024.32	877 €
1 1/2"	40140.2000.05.0026.32	570 €	40140.3000.01.0026.32	1069 €
2"	40140.2000.05.0027.32	736 €	40140.3000.01.0027.32	1125 €
2 1/2"	40140.2000.05.0028.32	997 €	40140.3000.01.0028.32	1457 €
3"	40140.2000.05.0029.32	1457 €	40140.3000.01.0029.32	2019 €
4"	40140.2000.05.0030.32	1687 €	40140.3000.01.0030.32	2858 €

## Aseptic Double Right Angle Valve Type T

pneumatic – air to open-spring to close NC

DN	PTFE bellows		Metal bellows	
	Reference Number	Price	Reference Number	Price
25	40110.2000.05.0004.32	762 €	40110.3000.01.0004.32	1107 €
40	40110.2000.05.0006.32	910 €	40110.3000.01.0006.32	1274 €
50	40110.2000.05.0007.32	971 €	40110.3000.01.0007.32	1376 €
65	40110.2000.05.0008.32	1406 €	40110.3000.01.0008.32	1866 €
80	40110.2000.05.0009.32	1917 €	40110.3000.01.0009.32	2454 €
100	40110.2000.05.0010.32	2147 €	40110.3000.01.0010.32	3318 €
1"	40110.2000.05.0024.32	762 €	40110.3000.01.0024.32	1107 €
1 1/2"	40110.2000.05.0026.32	910 €	40110.3000.01.0026.32	1274 €
2"	40110.2000.05.0027.32	971 €	40110.3000.01.0027.32	1376 €
2 1/2"	40110.2000.05.0028.32	1406 €	40110.3000.01.0028.32	1866 €
3"	40110.2000.05.0029.32	1917 €	40110.3000.01.0029.32	2454 €
4"	40110.2000.05.0030.32	2147 €	40110.3000.01.0030.32	3318 €

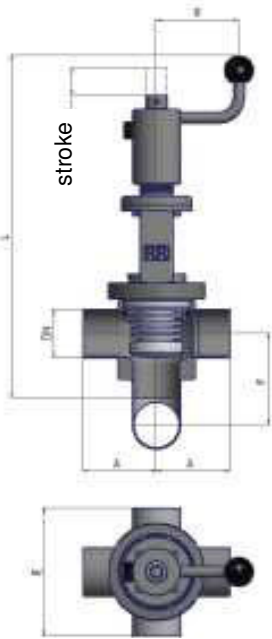


# Aseptic Valves



## Aseptic Cross Valve Typ TT

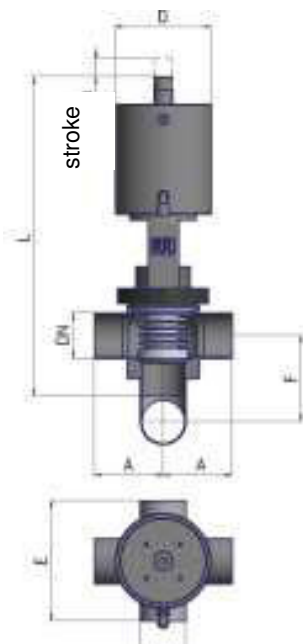
manual with crank handle



DN	Pipe	A	E	F	R	L	Stroke	kg	
25	29 x 1,5	50	100	66	73	310	7	3,2	
40	41 x 1,5	60	120	82	73	330	9	5,5	
50	53 x 1,5	80	140	99	90	400	12	6,0	
65	70 x 2	100	160	119	90	415	16	8,2	
80	85 x 2	125	180	136	90	445	18	11,2	
100	104 x 2	150	200	156	90	465	23	15,9	
1"	25,4 x 1,65						7	3,2	
1 1/2"	38,1 x 1,65	In case of order						9	5,5
2"	50,8 x 1,65	you get a 3D step file						12	6,0
2 1/2"	63,5 x 1,65	for your design department.						15	8,2
3"	76,2 x 1,65						18	11,2	
4"	101,6 x 2,11						23	15,9	

## Aseptic Cross Valve Type TT

pneumatic – air to open-spring to close NC



DN	Pipe	A	E	F	D	L	Stroke	kg	
25	29 x 1,5	50	100	66	90	310	7	5,2	
40	41 x 1,5	60	120	82	90	325	9	6,4	
50	53 x 1,5	80	140	99	110	384	12	10,7	
65	70 x 2	100	160	119	133	445	16	15,8	
80	85 x 2	125	180	136	160	509	18	25,6	
100	104 x 2	150	200	156	168	527	23	30,2	
1"	25,4 x 1,65						7	5,2	
1 1/2"	38,1 x 1,65	In case of order						9	6,4
2"	50,8 x 1,65	you get a 3D step file						12	10,7
2 1/2"	63,5 x 1,65	for your design department.						15	15,8
3"	76,2 x 1,65						18	25,6	
4"	101,6 x 2,11						23	30,2	



# Aseptic Valves



## Aseptic Cross Valve Type TT

manual with crank handle

DN	PTFE bellows		Metal bellows	
	Reference Number	Price	Reference Number	Price
25	40340.2000.05.0004.32	619 €	40340.3000.01.0004.32	931 €
40	40340.2000.05.0006.32	731 €	40340.3000.01.0006.32	1145 €
50	40340.2000.05.0007.32	808 €	40340.3000.01.0007.32	1150 €
65	40340.2000.05.0008.32	1115 €	40340.3000.01.0008.32	1533 €
80	40340.2000.05.0009.32	1611 €	40340.3000.01.0009.32	2095 €
100	40340.2000.05.0010.32	1841 €	40340.3000.01.0010.32	2960 €
1"	40340.2000.05.0024.32	619 €	40340.3000.01.0024.32	931 €
1 1/2"	40340.2000.05.0026.32	731 €	40340.3000.01.0026.32	1145 €
2"	40340.2000.05.0027.32	808 €	40340.3000.01.0027.32	1150 €
2 1/2"	40340.2000.05.0028.32	1115 €	40340.3000.01.0028.32	1533 €
3"	40340.2000.05.0029.32	1611 €	40340.3000.01.0029.32	2095 €
4"	40340.2000.05.0030.32	1841 €	40340.3000.01.0030.32	2960 €

## Aseptic Cross Valve Type TT

pneumatic – air to open-spring to close NC

DN	PTFE bellows		Metal bellows	
	Reference Number	Price	Reference Number	Price
25	40310.2000.05.0004.32	844 €	40310.3000.01.0004.32	1136 €
40	40310.2000.05.0006.32	966 €	40310.3000.01.0006.32	1350 €
50	40310.2000.05.0007.32	1043 €	40310.3000.01.0007.32	1383 €
65	40310.2000.05.0008.32	1513 €	40310.3000.01.0008.32	1958 €
80	40310.2000.05.0009.32	2066 €	40310.3000.01.0009.32	2582 €
100	40310.2000.05.0010.32	2311 €	40310.3000.01.0010.32	3381 €
1"	40310.2000.05.0024.32	844 €	40310.3000.01.0024.32	1136 €
1 1/2"	40310.2000.05.0026.32	966 €	40310.3000.01.0026.32	1350 €
2"	40310.2000.05.0027.32	1043 €	40310.3000.01.0027.32	1383 €
2 1/2"	40310.2000.05.0028.32	1513 €	40310.3000.01.0028.32	1958 €
3"	40310.2000.05.0029.32	2066 €	40310.3000.01.0029.32	2582 €
4"	40310.2000.05.0030.32	2311 €	40310.3000.01.0030.32	3381 €

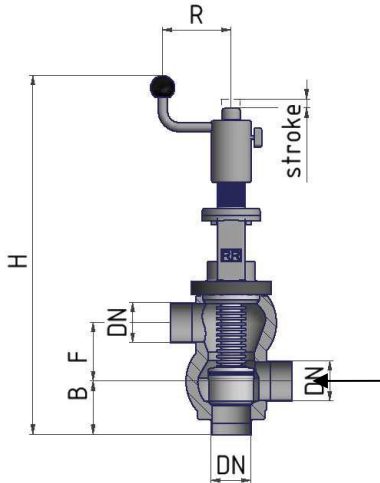


# Aseptic Valves



## Aseptic Change Over Valve Type LL

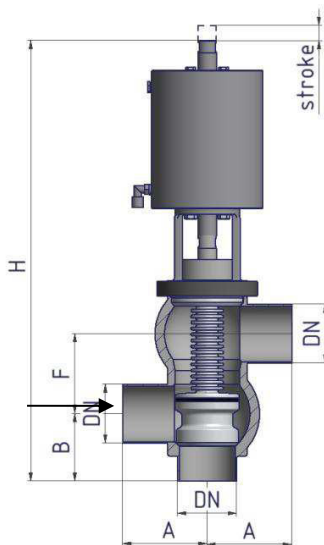
manual with crank handle – 3 ports – one-piece valve body



DN	Pipe	A	B	F	R	H	Stroke	kg
25	29 x 1,5	50	50	55	73	360	18	4,2
40	41 x 1,5	60	60	65	73	385	18	6,3
50	53 x 1,5	80	70	77	90	475	22	9,9
65	70 x 2	100	80	95	90	510	25	12,7
80	85 x 2	125	90	110	90	555	33	17,8
100	104 x 2	150	100	129	90	595	35	23,4
1"	25,4 x 1,65	In case of order					18	4,2
1 1/2"	38,1 x 1,65	you get a 3D step file					18	6,3
2"	50,8 x 1,65	for your design department.					22	9,9
2 1/2"	63,5 x 1,65	Closing pressure of 6 bar					25	12,7
3"	76,2 x 1,65	only with flow direction					33	17,8
4"	101,6 x 2,11	into middle port – see arrow.					35	23,4

## Aseptic Change Over Valve Type LL

pneumatic – air to open-spring to close NC – 3 ports – one-piece valve body



DN	Pipe	A	B	F	D	H	Stroke	kg
25	29 x 1,5	50	50	55	90	361	18	6,2
40	41 x 1,5	60	60	65	90	387	18	7,2
50	53 x 1,5	80	70	77	110	459	22	14,6
65	70 x 2	100	80	95	133	539	25	17,4
80	85 x 2	125	90	110	172	630	33	27,5
100	104 x 2	150	100	129	172	665	35	35,2
1"	25,4 x 1,65	In case of order					18	6,2
1 1/2"	38,1 x 1,65	you get a 3D step file					18	7,2
2"	50,8 x 1,65	for your design department.					22	14,6
2 1/2"	63,5 x 1,65	Drawing shows NC -					25	17,4
3"	76,2 x 1,65	NC = If air fails, lower					33	27,5
4"	101,6 x 2,11	port is closed.					35	35,2

**Closing pressure of 6 bar is only ensured with flow direction into middle port with control air pressure of at least 6 bar (max. 10 bar) – see arrow.**



# Aseptic Valves



## Aseptic Change Over Valve Type LL

manual with crank handle – **3 ports** – **one-piece valve body**

### PTFE bellows

DN	Reference Number	Price
25	40440.2000.05.0004.32	1181 €
40	40440.2000.05.0006.32	1380 €
50	40440.2000.05.0007.32	1559 €
65	40440.2000.05.0008.32	2311 €
80	40440.2000.05.0009.32	3160 €
100	40440.2000.05.0010.32	3886 €
1"	40440.2000.05.0024.32	1181 €
1 1/2"	40440.2000.05.0026.32	1380 €
2"	40440.2000.05.0027.32	1559 €
2 1/2"	40440.2000.05.0028.32	2311 €
3"	40440.2000.05.0029.32	3160 €
4"	40440.2000.05.0030.32	3886 €

## Aseptic Change Over Valve Type LL

pneumatic – air to open-spring to close NC – **3 ports** – **one-piece valve body**

### PTFE bellows

DN	Reference Number	Price
25	40410.2000.05.0004.32	1432 €
40	40410.2000.05.0006.32	1636 €
50	40410.2000.05.0007.32	1830 €
65	40410.2000.05.0008.32	2608 €
80	40410.2000.05.0009.32	3579 €
100	40410.2000.05.0010.32	4346 €
1"	40410.2000.05.0024.32	1432 €
1 1/2"	40410.2000.05.0026.32	1636 €
2"	40410.2000.05.0027.32	1830 €
2 1/2"	40410.2000.05.0028.32	2608 €
3"	40410.2000.05.0029.32	3579 €
4"	40410.2000.05.0030.32	4346 €

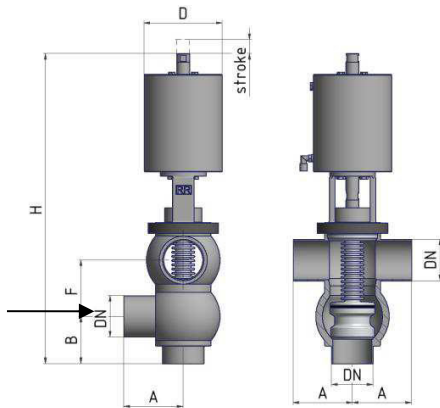


# Aseptic Valves



## Aseptic Change Over Valve Type TL

pneumatic – air to open-spring to close NC – **4 ports** – **one-piece valve body**



DN	Pipe	A	B	F	D	H	Stroke	kg
25	29 x 1,5	50	50	55	90	361	18	6,2
40	41 x 1,5	60	60	65	90	387	18	7,2
50	53 x 1,5	80	70	77	110	459	22	14,6
65	70 x 2	100	80	95	133	539	25	17,4
80	85 x 2	125	90	110	172	630	33	27,5
100	104 x 2	150	100	129	172	665	35	35,2
1"	25,4 x 1,65	In case of order					18	6,2
1 1/2"	38,1 x 1,65	you get a 3D step file					18	7,2
2"	50,8 x 1,65	for your design department.					22	14,6
2 1/2"	63,5 x 1,65	Drawing shows NC -					25	17,4
3"	76,2 x 1,65	NC = If air fails, lower					33	27,5
4"	101,6x2,11	port is closed.					35	35,2

**Closing pressure of 6 bar is only ensured with flow direction into middle port with control air pressure of at least 6 bar (max. 10 bar) – see arrow.**



## Aseptic Change Over Valve Type TL

pneumatic – air to open-spring to close NC – **4 ports – one-piece valve body**

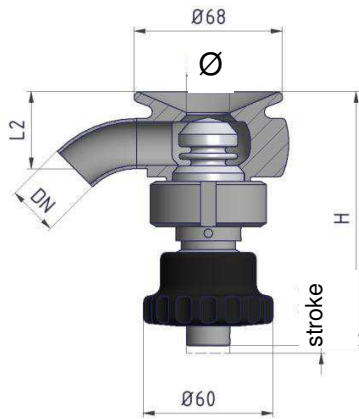
### PTFE bellows

DN	Reference Number	Price
25	40410.2040.05.0004.32	1478 €
40	40410.2040.05.0006.32	1713 €
50	40410.2040.05.0007.32	1911 €
65	40410.2040.05.0008.32	2685 €
80	40410.2040.05.0009.32	3655 €
100	40410.2040.05.0010.32	4448 €
1"	40410.2040.05.0024.32	1478 €
1 1/2"	40410.2040.05.0026.32	1713 €
2"	40410.2040.05.0027.32	1911 €
2 1/2"	40410.2040.05.0028.32	2685 €
3"	40410.2040.05.0029.32	3655 €
4"	40410.2040.05.0030.32	4448 €



## Aseptic Bottom Seat Small Valve

manual with plastic hand wheel

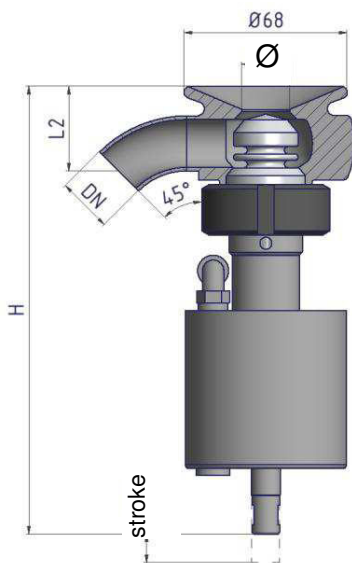


DIN	Pipe	H	L2	Stroke	kg	Ø
10	13 x 1,5	115	35	5	1,4	16
15	19 x 1,5	115	35	5	1,4	20
20	23 x 1,5	115	35	5	1,4	20

Valve body with turned on weld-in flange  
for direct welding into tank bottom

## Aseptic Bottom Seat Small Valve

pneumatic – air to open-spring to close NC



DIN	Pipe	H	L2	Stroke	kg	Ø
10	13 x 1,5	189	35	5	2,3	16
15	19 x 1,5	189	35	5	2,3	20
20	23 x 1,5	189	35	5	2,3	20

Valve body with turned on weld-in flange  
for direct welding into tank bottom





# Aseptic Valves



## Aseptic Bottom Seat Small Valve

manual with plastic hand wheel

1 port			2 ports	
DIN	Reference Number	Price	Reference Number	Price
10	40704.2100.05.0001.32	767 €	40704.2100.05.0101.32	862 €
15	40704.2100.05.0002.32	767 €	40704.2100.05.0202.32	862 €
20	40704.2100.05.0003.32	767 €	40704.2100.05.0303.32	862 €

Gasket Kit Product Side		
10-20	5005113	110 €

## Aseptic Bottom Seat Small Valve

pneumatic – air to open-spring to close NC

1 ports			2 ports	
DIN	Reference Number	Price	Reference Number	Price
10	40701.2100.05.0001.32	977 €	40701.2100.05.0101.32	1072 €
15	40701.2100.05.0002.32	977 €	40701.2100.05.0202.32	1072 €
20	40701.2100.05.0003.32	977 €	40701.2100.05.0303.32	1072 €

Gasket Kit Product Side		
10-20	5005113	110 €

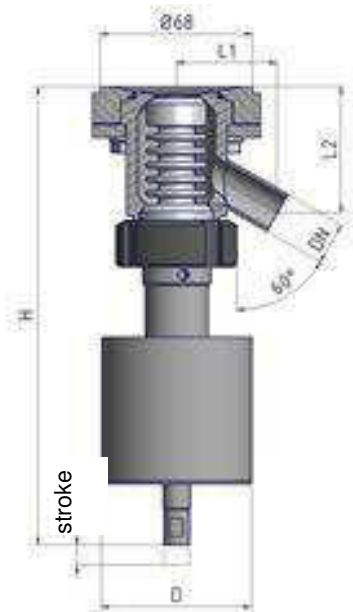


# Aseptic Valves



## Aseptic Bottom Seat Valve 30°

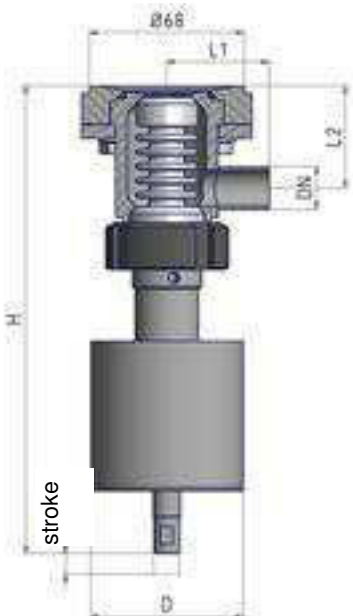
pneumatic – air to open-spring to close NC



DIN	Pipe	D1	DZ	H	L1	L2	Stroke
10	13 x 1,5	75	64	205	45	61	10
15	19 x 1,5	75	64	205	46	58	10
20	23 x 1,5	75	64	205	48	57	10

## Aseptic Bottom Seat Valve 90°

pneumatic – air to open-spring to close NC



DIN	Pipe	D1	DZ	H	L1	L2	Stroke
10	13 x 1,5	75	64	205	45	48,5	10
15	19 x 1,5	75	64	205	45	45,5	10
20	23 x 1,5	75	64	205	45	43,5	10



# Aseptic Valves



## Aseptic Bottom Seat Valve 30°

pneumatic – air to open-spring to close NC

### PTFE bellows

DIN	Reference Number	Price
10	40701.2000.05.0001.32	977 €
15	40701.2000.05.0002.32	977 €
20	40701.2000.05.0003.32	977 €

Prices without weld-in flange - upon request with rinsing inlet against surcharge  
see page 57

## Aseptic Bottom Seat Valve 90°

pneumatic – air to open-spring to close NC

### PTFE bellows

DIN	Reference Number	Price
10	40701.2010.05.0001.32	977 €
15	40701.2010.05.0002.32	977 €
20	40701.2010.05.0003.32	977 €

Prices without weld-in flange - upon request with rinsing inlet against surcharge  
see page 57

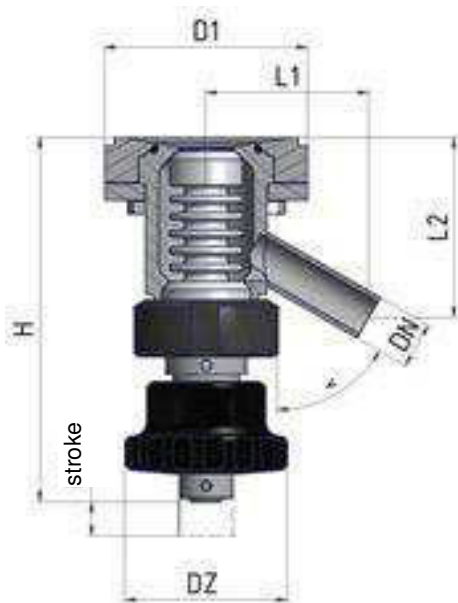


# Aseptic Valves



## Aseptic Bottom Seat Valve 30°

manual with plastic hand wheel

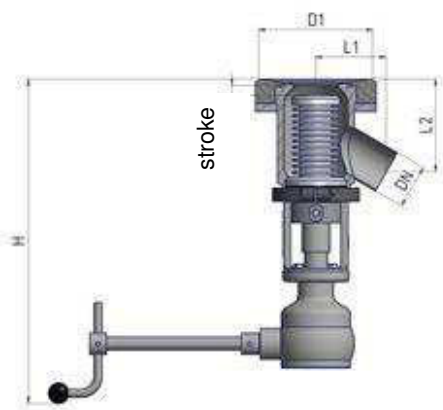


DIN	Pipe	D1	DZ	H	L1	L2	Stroke
-----	------	----	----	---	----	----	--------

10	13 x 1,5	75	64	140	45	61	10
15	19 x 1,5	75	64	140	46	58	10
20	23 x 1,5	75	64	140	48	57	10

## Aseptic Bottom Seat Valve 30°

manual with bevel gear drive



DN	Pipe	D1	Stroke	H	L1	L2	kg
----	------	----	--------	---	----	----	----

25	29 x 1,5	108	14	335	60	68,5	6,1
40	41 x 1,5	133	14	345	70	73,5	7,6
50	53 x 1,5	146	20	395	80	94	9,5
65	70 x 2	173	22	420	95	112,5	12,7
80	85 x 2	186	30	455	105	124	17,0
100	104 x 2	217	32	500	120	155	19,9
1"	25,4 x 1,65	108	14	335	60	68,5	6,1
1 1/2"	38,1 x 1,65	133	14	345	70	73,5	7,6
2"	50,8 x 1,65	146	20	395	80	94	9,5
2 1/2"	63,5 x 1,65	173	22	420	95	112,5	12,7
3"	76,2 x 1,65	186	30	455	105	124	17,0
4"	101,6 x 2,11	217	32	500	120	155	19,9

In case of order we request dimension of handle extension.



# Aseptic Valves



## Aseptic Bottom Seat Valve 30°

manual with plastic hand wheel

### PTFE bellows

DIN	Reference Number	Price
10	40704.2000.05.0001.32	757 €
15	40704.2000.05.0002.32	757 €
20	40704.2000.05.0003.32	757 €

Prices without weld-in flange - upon request with rinsing inlet against surcharge  
see page 57

## Aseptic Bottom Seat Valve 30°

manual with bevel gear drive

### PTFE bellows

### Metal bellows

DN	Reference Number	Price	Reference Number	Price
25	40750.2000.05.0004.32	1539 €	40750.3000.01.0004.32	1584 €
40	40750.2000.05.0006.32	1749 €	40750.3000.01.0006.32	1820 €
50	40750.2000.05.0007.32	1871 €	40750.3000.01.0007.32	1942 €
65	40750.2000.05.0008.32	2347 €	40750.3000.01.0008.32	2373 €
80	40750.2000.05.0009.32	3078 €	40750.3000.01.0009.32	3150 €
100	40750.2000.05.0010.32	4448 €	40750.3000.01.0010.32	4555 €
1"	40750.2000.05.0024.32	1539 €	40750.3000.01.0024.32	1584 €
1 1/2"	40750.2000.05.0026.32	1749 €	40750.3000.01.0026.32	1820 €
2"	40750.2000.05.0027.32	1871 €	40750.3000.01.0027.32	1942 €
2 1/2"	40750.2000.05.0028.32	2347 €	40750.3000.01.0028.32	2373 €
3"	40750.2000.05.0029.32	3078 €	40750.3000.01.0029.32	3150 €
4"	40750.2000.05.0030.32	4448 €	40750.3000.01.0030.32	4555 €

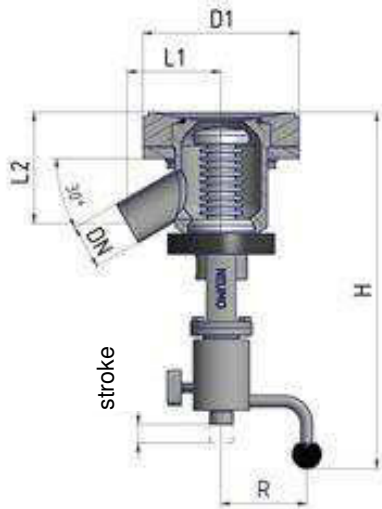
Prices and weights without weld-in flange - upon request with rinsing inlet against surcharge  
see page 57



# Aseptic Valves

## Aseptic Bottom Seat Valve 30°

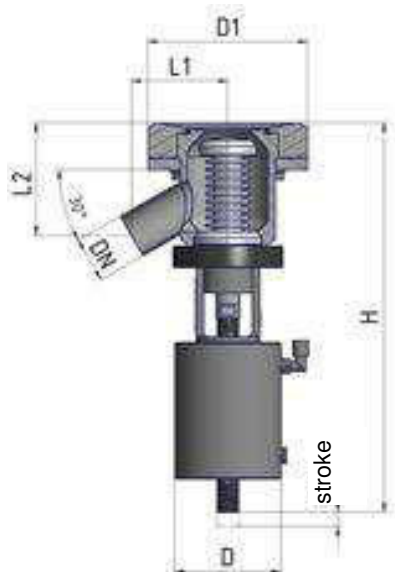
manual with crank handle



DN	Pipe	D1	R	H	L1	L2	Stroke	kg
25	29 x 1,5	108	73	320	65	82,5	14	3,7
40	41 x 1,5	133	73	330	80	94	14	6,4
50	53 x 1,5	146	90	420	85	110,5	20	8,3
65	70 x 2	173	90	450	100	132,5	22	9,4
80	85 x 2	186	90	475	115	146	30	12,6
100	104 x 2	217	90	520	150	188	32	14,7
1"	25,4 x 1,65	108	73	320	65	82,5	14	3,7
1 1/2"	38,1 x 1,65	133	73	330	80	94	14	6,4
2"	50,8 x 1,65	146	90	420	85	110,5	20	8,3
2 1/2"	63,5 x 1,65	173	90	450	100	132,5	22	9,4
3"	76,2 x 1,65	186	90	475	115	146	30	12,6
4"	101,6x2,11	217	90	520	150	188	32	14,7

## Aseptic Bottom Seat Valve 30°

pneumatic – air to open-spring to close NC



DN	Pipe	D1	DZ	H	L1	L2	Stroke	kg
25	29 x 1,5	108	90	315	65	82,5	14	5,7
40	41 x 1,5	133	90	330	80	94	14	7,3
50	53 x 1,5	146	110	399	85	110,5	20	13,0
65	70 x 2	173	133	466	100	132,5	22	16,6
80	85 x 2	186	160	529	115	146	30	27,0
100	104 x 2	217	168	572	150	188	32	29,0
1"	25,4 x 1,65	108	90	315	65	82,5	14	5,7
1 1/2"	38,1 x 1,65	133	90	330	80	94	14	7,3
2"	50,8 x 1,65	146	110	399	85	110,5	20	13,0
2 1/2"	63,5 x 1,65	173	133	466	100	132,5	22	16,6
3"	76,2 x 1,65	186	160	529	115	146	30	27,0
4"	101,6x2,11	217	168	572	150	188	32	29,0



# Aseptic Valves



## Aseptic Bottom Seat Valve 30°

manual with crank handle

DN	PTFE bellows		Metal bellows	
	Reference Number	Price	Reference Number	Price
25	40740.2000.05.0004.32	971 €	40740.3000.01.0004.32	1015 €
40	40740.2000.05.0006.32	1186 €	40740.3000.01.0006.32	1257 €
50	40740.2000.05.0007.32	1329 €	40740.3000.01.0007.32	1355 €
65	40740.2000.05.0008.32	1764 €	40740.3000.01.0008.32	1791 €
80	40740.2000.05.0009.32	2454 €	40740.3000.01.0009.32	2526 €
100	40740.2000.05.0010.32	3732 €	40740.3000.01.0010.32	3839 €
1"	40740.2000.05.0024.32	971 €	40740.3000.01.0024.32	1015 €
1 1/2"	40740.2000.05.0026.32	1186 €	40740.3000.01.0026.32	1257 €
2"	40740.2000.05.0027.32	1329 €	40740.3000.01.0027.32	1355 €
2 1/2"	40740.2000.05.0028.32	1764 €	40740.3000.01.0028.32	1791 €
3"	40740.2000.05.0029.32	2454 €	40740.3000.01.0029.32	2526 €
4"	40740.2000.05.0030.32	3732 €	40740.3000.01.0030.32	3839 €

Prices and weights without weld-in flange - upon request with rinsing inlet against surcharge see page 57

## Aseptic Bottom Seat Valve 30°

pneumatic – air to open-spring to close NC

DN	PTFE bellows		Metal bellows	
	Reference Number	Price	Reference Number	Price
25	40710.2000.05.0004.32	1217 €	40710.3000.01.0004.32	1282 €
40	40710.2000.05.0006.32	1432 €	40710.3000.01.0006.32	1503 €
50	40710.2000.05.0007.32	1544 €	40710.3000.01.0007.32	1615 €
65	40710.2000.05.0008.32	2158 €	40710.3000.01.0008.32	2185 €
80	40710.2000.05.0009.32	2889 €	40710.3000.01.0009.32	2961 €
100	40710.2000.05.0010.32	4193 €	40710.3000.01.0010.32	4300 €
1"	40710.2000.05.0024.32	1217 €	40710.3000.01.0024.32	1282 €
1 1/2"	40710.2000.05.0026.32	1432 €	40710.3000.01.0026.32	1503 €
2"	40710.2000.05.0027.32	1544 €	40710.3000.01.0027.32	1615 €
2 1/2"	40710.2000.05.0028.32	2158 €	40710.3000.01.0028.32	2185 €
3"	40710.2000.05.0029.32	2889 €	40710.3000.01.0029.32	2961 €
4"	40710.2000.05.0030.32	4193 €	40710.3000.01.0030.32	4300 €

Prices and weights without weld-in flange - upon request with rinsing inlet against surcharge see page 57

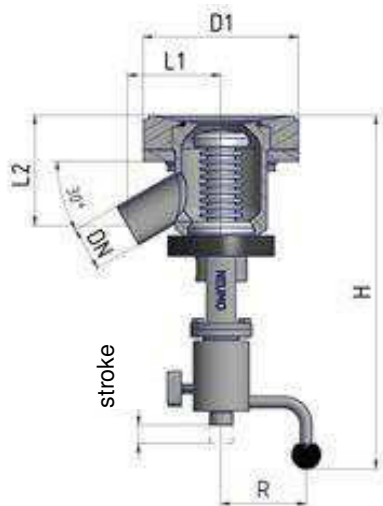


# Aseptic Valves



## Aseptic Bottom Seat Valve 30° ISO

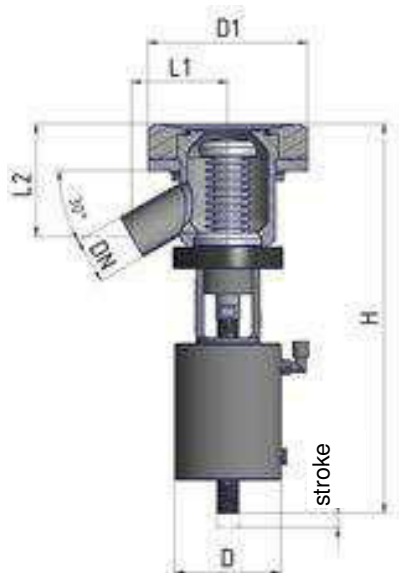
manual with crank handle



ISO	Pipe	D1	R	H	L1	L2	Stroke	kg
20	26,9 x 1,6	108	73	320	65	86	14	3,6
25	33,7 x 2	108	73	320	65	83	14	6,3
40	48,3 x 2	146	90	420	85	113	20	8,2
50	60,3 x 2	146	90	420	85	106	20	9,3
65	76,2 x 2,3	173	90	450	100	129,5	22	12,5
80	88,9 x 2,3	186	90	475	115	144	30	14,6
100	114,3 x 2,6	217	90	520	150	183	32	a.A.

## Aseptic Bottom Seat Valve 30° ISO

pneumatic – air to open-spring to close NC



ISO	Pipe	D1	DZ	H	L1	L2	Stroke	kg
20	26,9 x 1,6	108	90	310	65	86	14	5,6
25	33,7 x 2	108	90	310	65	83	14	7,2
40	48,3 x 2	146	110	380	85	113	20	12,5
50	60,3 x 2	146	110	380	85	106	20	16,5
65	76,2 x 2,3	173	133	446	100	129,5	22	26,9
80	88,9 x 2,3	186	160	480	115	144	30	28,8
100	114,3 x 2,6	217	168	570	150	183	32	a.A.





# Aseptic Valves



## Aseptic Bottom Seat Valve 30° ISO

manual with crank handle

ISO	PTFE bellows		Metal bellows	
	Reference Number	Price	Reference Number	Price
20	40740.2000.05.0043.32	998 €	40740.3000.01.0043.32	1038 €
25	40740.2000.05.0044.32	1136 €	40740.3000.01.0044.32	1207 €
40	40740.2000.05.0046.32	1318 €	40740.3000.01.0046.32	1389 €
50	40740.2000.05.0047.32	1636 €	40740.3000.01.0047.32	1662 €
65	40740.2000.05.0048.32	2129 €	40740.3000.01.0048.32	2156 €
80	40740.2000.05.0049.32	3035 €	40740.3000.01.0049.32	3107 €
100	40740.2000.05.0050.32	4571€	40740.3000.01.0050.32	4678 €

Prices and weights without weld-in flange - upon request with rinsing inlet against surcharge see page 57

## Aseptic Bottom Seat Valve 30° ISO

pneumatic – air to open-spring to close NC

ISO	PTFE bellows		Metal bellows	
	Reference Number	Price	Reference Number	Price
20	40710.2000.05.0043.32	1167 €	40710.3000.01.0043.32	1207 €
25	40710.2000.05.0044.32	1305 €	40710.3000.01.0044.32	1376 €
40	40710.2000.05.0046.32	1544 €	40710.3000.01.0046.32	1615 €
50	40710.2000.05.0047.32	1851 €	40710.3000.01.0047.32	1922 €
65	40710.2000.05.0048.32	2523 €	40710.3000.01.0048.32	2550 €
80	40710.2000.05.0049.32	3541 €	40710.3000.01.0049.32	3613 €
100	40710.2000.05.0050.32	5031 €	40710.3000.01.0050.32	5138 €

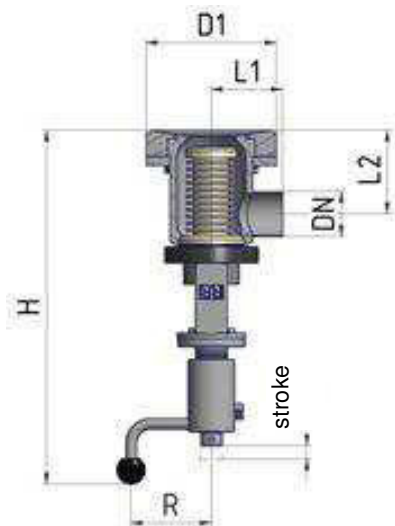
Prices and weights without weld-in flange - upon request with rinsing inlet against surcharge see page 57



# Aseptic Valves

## Aseptic Bottom Seat Valve 90°

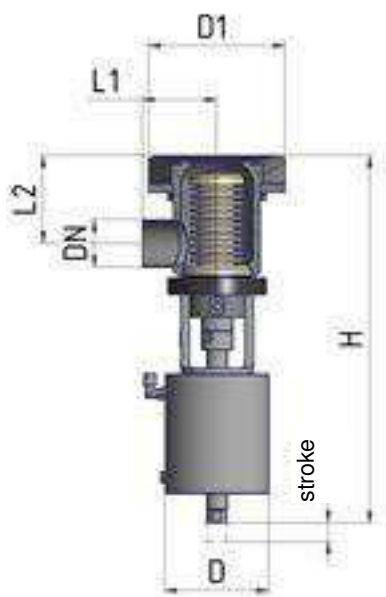
manual with crank handle



DN	Pipe	D1	R	H	L1	L2	Stroke	kg
25	29 x 1,5	108	73	320	60	68,5	14	3,7
40	41 x 1,5	133	73	330	70	73,5	14	6,4
50	53 x 1,5	146	90	420	80	94	20	8,3
65	70 x 2	173	90	450	95	112,5	25	9,4
80	85 x 2	186	90	475	105	124	33	12,6
100	104 x 2	217	90	520	120	155	35	14,7
1"	25,4 x 1,65	108	73	320	60	68,5	14	3,7
1 1/2"	38,1 x 1,65	133	73	330	70	73,5	14	6,4
2"	50,8 x 1,65	146	90	420	80	94	20	8,3
2 1/2"	63,5 x 1,65	173	90	450	95	112,5	25	9,4
3"	76,2 x 1,65	186	90	475	105	124	33	12,6
4"	101,6x2,11	217	90	520	120	155	35	14,7

## Aseptic Bottom Seat Valve 90°

pneumatic – air to open-spring to close NC



DN	Pipe	D1	DZ	H	L1	L2	Stroke	kg
25	29 x 1,5	108	90	315	60	68,5	14	5,7
40	41 x 1,5	133	90	330	70	73,5	14	7,3
50	53 x 1,5	146	110	399	80	94	20	13,0
65	70 x 2	173	133	466	95	112,5	22	16,6
80	85 x 2	186	160	529	105	124	30	27,0
100	104 x 2	217	168	572	120	155	32	29,0
1"	25,4 x 1,65	108	90	315	60	68,5	14	5,7
1 1/2"	38,1 x 1,65	133	90	330	70	73,5	14	7,3
2"	50,8 x 1,65	146	110	399	80	94	20	13,0
2 1/2"	63,5 x 1,65	173	133	466	95	112,5	22	16,6
3"	76,2 x 1,65	186	160	529	105	124	30	27,0
4"	101,6x2,11	217	168	572	120	155	32	29,0



# Aseptic Valves



## Aseptic Bottom Seat Valve 90°

manual with crank handle

DN	PTFE bellows		Metal bellows	
	Reference Number	Price	Reference Number	Price
25	40740.2010.05.0004.32	971 €	40740.3010.01.0004.32	1015 €
40	40740.2010.05.0006.32	1186 €	40740.3010.01.0006.32	1257 €
50	40740.2010.05.0007.32	1329 €	40740.3010.01.0007.32	1355 €
65	40740.2010.05.0008.32	1764 €	40740.3010.01.0008.32	1791 €
80	40740.2010.05.0009.32	2454 €	40740.3010.01.0009.32	2526 €
100	40740.2010.05.0010.32	3732 €	40740.3010.01.0010.32	3839 €
1"	40740.2010.05.0024.32	971 €	40740.3010.01.0024.32	1015 €
1 1/2"	40740.2010.05.0026.32	1186 €	40740.3010.01.0026.32	1257 €
2"	40740.2010.05.0027.32	1329 €	40740.3010.01.0027.32	1355 €
2 1/2"	40740.2010.05.0028.32	1764 €	40740.3010.01.0028.32	1791 €
3"	40740.2010.05.0029.32	2454 €	40740.3010.01.0029.32	2526 €
4"	40740.2010.05.0030.32	3732 €	40740.3010.01.0030.32	3839 €

Prices and weights without weld-in flange - upon request with rinsing inlet against surcharge see page 57

## Aseptic Bottom Seat Valve 90°

pneumatic – air to open-spring to close NC

DN	PTFE bellows		Metal bellows	
	Reference Number	Price	Reference Number	Price
25	40710.2010.05.0004.32	1217 €	40710.3010.01.0004.32	1282 €
40	40710.2010.05.0006.32	1432 €	40710.3010.01.0006.32	1503 €
50	40710.2010.05.0007.32	1544 €	40710.3010.01.0007.32	1615 €
65	40710.2010.05.0008.32	2158 €	40710.3010.01.0008.32	2185 €
80	40710.2010.05.0009.32	2889 €	40710.3010.01.0009.32	2961 €
100	40710.2010.05.0010.32	4193 €	40710.3010.01.0010.32	4300 €
1"	40710.2010.05.0024.32	1217 €	40710.3010.01.0024.32	1282 €
1 1/2"	40710.2010.05.0026.32	1432 €	40710.3010.01.0026.32	1503 €
2"	40710.2010.05.0027.32	1544 €	40710.3010.01.0027.32	1615 €
2 1/2"	40710.2010.05.0028.32	2158 €	40710.3010.01.0028.32	2185 €
3"	40710.2010.05.0029.32	2889 €	40710.3010.01.0029.32	2961 €
4"	40710.2010.05.0030.32	4193 €	40710.3010.01.0030.32	4300 €

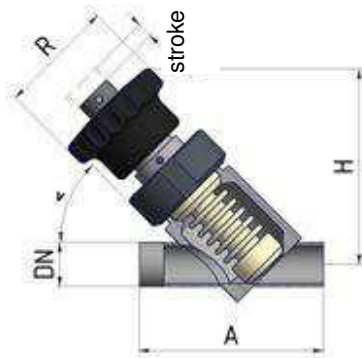
Prices and weights without weld-in flange - upon request with rinsing inlet against surcharge see page 57



# Aseptic Valves

## Aseptic Inclined Seat Valve

manual with plastic hand wheel



DIN	Pipe	A	<	R	H	Stroke
-----	------	---	---	---	---	--------

10	see BioCheck angular seat valve chapter 6					
----	---	--	--	--	--	--

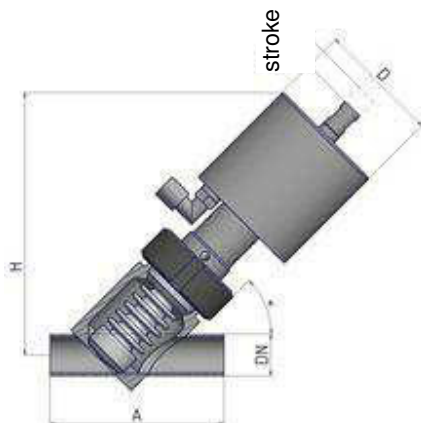
15	19 x 1,5	117	45°	66	103	10
----	----------	-----	-----	----	-----	----

20	23 x 1,5	95	45°	66	103	10
----	----------	----	-----	----	-----	----

DN 15 = excentrically reduced DN 20/15

## Aseptic Inclined Seat Valve

pneumatic – air to open-spring to close NC



DIN	Pipe	A	<	D	H	Stroke
-----	------	---	---	---	---	--------

10	see BioCheck angular seat valve chapter 6					
----	---	--	--	--	--	--

15	19 x 1,5	117	45°	64	145	10
----	----------	-----	-----	----	-----	----

20	23 x 1,5	95	45°	64	145	10
----	----------	----	-----	----	-----	----

DN 15 = excentrically reduced DN 20/15



## Aseptic Inclined Seat Valve

manual with plastic hand wheel

### PTFE bellows

DIN	Reference Number	Price
10	see BioCheck angular seat valve chapter 6	
15	40504.2000.05.0002.32	782 €
20	40504.2000.05.0003.32	782 €

## Aseptic Inclined Seat Valve

pneumatic – air to open-spring to close NC

### PTFE bellows

DIN	Reference Number	Price
10	see BioCheck angular seat valve chapter 6	
15	40501.2000.05.0002.32	966 €
20	40501.2000.05.0003.32	966 €

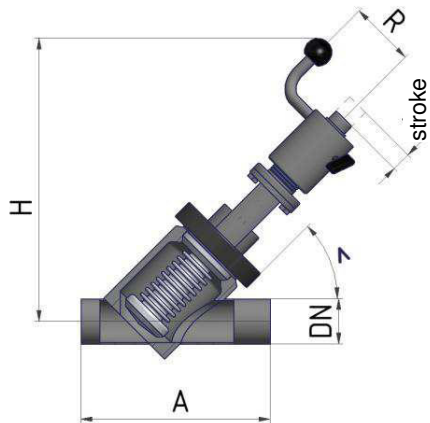


# Aseptic Valves



## Aseptic Inclined Seat Valve

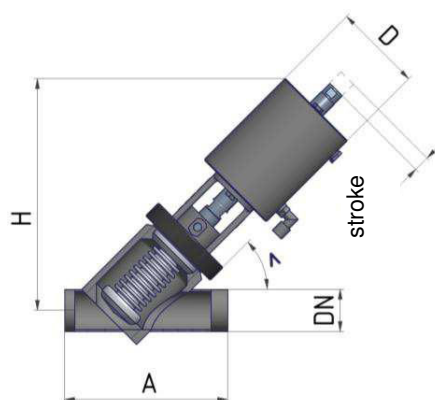
manual with crank handle



DN	Pipe	A	$\alpha$	R	H	Stroke	kg
25	29 x 1,5	140	45°	73	275	14	5,0
40	41 x 1,5	170	45°	73	280	14	5,5
50	53 x 1,5	205	45°	90	355	20	10,5
65	70 x 2	250	40°	90	350	22	14,0
80	85 x 2	300	40°	90	365	30	23,0
100	104 x 2	350	40°	90	390	32	26,0
1"	25,4 x 1,65	140	45°	73	275	14	5,0
1 1/2"	38,1 x 1,65	170	45°	73	280	14	5,5
2"	50,8 x 1,65	205	45°	90	355	20	10,5
2 1/2"	63,5 x 1,65	250	40°	90	350	22	14,0
3"	76,2 x 1,65	300	40°	90	365	30	23,0
4"	101,6 x 2,11	350	40°	90	390	32	26,0

## Aseptic Inclined Seat Valve

pneumatic – air to open-spring to close NC



DN	Pipe	A	$\alpha$	D	H	Stroke	kg
25	29 x 1,5	140	45°	90	235	14	5,4
40	41 x 1,5	170	45°	90	240	14	6,2
50	53 x 1,5	205	45°	110	294	20	11,0
65	70 x 2	250	40°	133	325	22	15,0
80	85 x 2	300	40°	160	384	30	24,5
100	104 x 2	350	40°	168	392	32	28,0
1"	25,4 x 1,65	140	45°	90	235	14	5,4
1 1/2"	38,1 x 1,65	170	45°	90	240	14	6,2
2"	50,8 x 1,65	205	45°	110	294	20	11,0
2 1/2"	63,5 x 1,65	250	40°	133	325	22	15,0
3"	76,2 x 1,65	300	40°	160	384	30	24,5
4"	101,6 x 2,11	350	40°	168	392	32	28,0



# Aseptic Valves



## Aseptic Inclined Seat Valve

manual with crank handle

DN	PTFE bellows		Metal bellows	
	Reference Number	Price	Reference Number	Price
25	40540.2000.05.0004.32	879 €	40540.3000.01.0004.32	924 €
40	40540.2000.05.0006.32	1053 €	40540.3000.01.0006.32	1124 €
50	40540.2000.05.0007.32	1161 €	40540.3000.01.0007.32	1232 €
65	40540.2000.05.0008.32	1565 €	40540.3000.01.0008.32	1592 €
80	40540.2000.05.0009.32	2147 €	40540.3000.01.0009.32	2219 €
100	40540.2000.05.0010.32	3119 €	40540.3000.01.0010.32	3226 €
1"	40540.2000.05.0024.32	879 €	40540.3000.01.0024.32	924 €
1 1/2"	40540.2000.05.0026.32	1053 €	40540.3000.01.0026.32	1124 €
2"	40540.2000.05.0027.32	1161 €	40540.3000.01.0027.32	1232 €
2 1/2"	40540.2000.05.0028.32	1565 €	40540.3000.01.0028.32	1592 €
3"	40540.2000.05.0029.32	2147 €	40540.3000.01.0029.32	2219 €
4"	40540.2000.05.0030.32	3119 €	40540.3000.01.0030.32	3226 €

## Aseptic Inclined Seat Valve

pneumatic – air to open-spring to close NC

DN	PTFE bellows		Metal bellows	
	Reference Number	Price	Reference Number	Price
25	40510.2000.05.0004.32	1104 €	40510.3000.01.0004.32	1149 €
40	40510.2000.05.0006.32	1278 €	40510.3000.01.0006.32	1349 €
50	40510.2000.05.0007.32	1380 €	40510.3000.01.0007.32	1451 €
65	40510.2000.05.0008.32	1943 €	40510.3000.01.0008.32	1970 €
80	40510.2000.05.0009.32	2608 €	40510.3000.01.0009.32	2680 €
100	40510.2000.05.0010.32	3605 €	40510.3000.01.0010.32	3712 €
1"	40510.2000.05.0024.32	1104 €	40510.3000.01.0024.32	1149€
1 1/2"	40510.2000.05.0026.32	1278 €	40510.3000.01.0026.32	1349 €
2"	40510.2000.05.0027.32	1380 €	40510.3000.01.0027.32	1451 €
2 1/2"	40510.2000.05.0028.32	1943 €	40510.3000.01.0028.32	1970 €
3"	40510.2000.05.0029.32	2608 €	40510.3000.01.0029.32	2680 €
4"	40510.2000.05.0030.32	3605 €	40510.3000.01.0030.32	3712 €

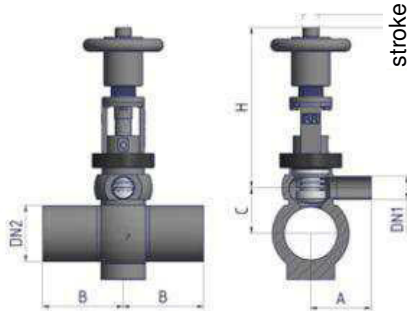


# Aseptic Valves



## Aseptic Sampling Valve - piggable

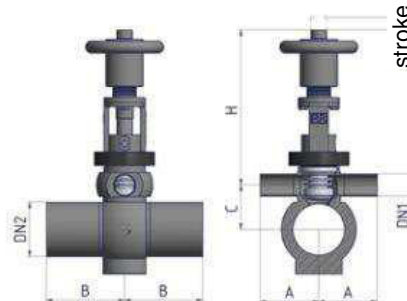
manual with hand wheel



DN1	DN2	A	B	C	H	Stroke	DN1	DN2
25	25	50	50	37	207	7	29 x 1,5	29 x 1,5
25	40	50	60	43	207	7	29 x 1,5	41 x 1,5
25	50	50	80	49	207	7	29 x 1,5	53 x 1,5
25	65	50	100	57	207	7	29x 1,5	70 x 2
25	80	50	125	54,5	207	7	29 x 1,5	85 x 2
40	40	60	60	46	215	9	41 x 1,5	41 x 1,5
40	50	60	80	52	215	9	41 x 1,5	53 x 1,5
40	65	60	100	60	215	9	41 x 1,5	70 x 2
40	80	60	125	67,5	215	9	41 x 1,5	85 x 2
50	50	80	80	60	326	12	53 x 1,5	53 x 1,5
50	65	80	100	66	326	12	53 x 1,5	70 x 2
50	80	80	125	73,5	326	12	53 x 1,5	85 x 2
50	100	80	150	83	326	12	53 x 1,5	104x2

## Aseptic Straight-Way Valve - piggable

manual with hand wheel – with rinsing inlet



DN1	DN2	A	B	C	H	Stroke	DN1	DN2
25	25	50	50	37	207	7	29 x 1,5	29 x 1,5
25	40	50	60	43	207	7	29 x 1,5	41 x 1,5
25	50	50	80	49	207	7	29 x 1,5	53 x 1,5
25	65	50	100	57	207	7	29x 1,5	70 x 2
25	80	50	125	54,5	207	7	29 x 1,5	85 x 2
40	40	60	60	46	215	9	41 x 1,5	41 x 1,5
40	50	60	80	52	215	9	41 x 1,5	53 x 1,5
40	65	60	100	60	215	9	41 x 1,5	70 x 2
40	80	60	125	67,5	215	9	41 x 1,5	85 x 2
50	50	80	80	60	326	12	53 x 1,5	53 x 1,5
50	65	80	100	66	326	12	53 x 1,5	70 x 2
50	80	80	125	73,5	326	12	53 x 1,5	85 x 2
50	100	80	150	83	326	12	53 x 1,5	104x2





# Aseptic Valves



## Aseptic Sampling Valve - piggable

manual with hand wheel – PTFE bellows

DN1/DN2	Reference Number	Price
25/25	40642.2020.05.0404.32	1238 €
25/40	40642.2020.05.0406.32	1329 €
25/50	40642.2020.05.0407.32	1337 €
25/65	40642.2020.05.0408.32	1435 €
25/80	40642.2020.05.0409.32	1646 €
40/40	40642.2020.05.0606.32	1471 €
40/50	40642.2020.05.0607.32	1484 €
40/65	40642.2020.05.0608.32	1581 €
40/80	40642.2020.05.0609.32	1768 €
50/50	40642.2020.05.0707.32	1532 €
50/65	40642.2020.05.0708.32	1628 €
50/80	40642.2020.05.0709.32	1612 €
50/100	40642.2020.05.0710.32	2319 €

## Aseptic Straight-Way Valve - piggable

manual with hand wheel - PTFE bellows

DN1/DN2	Reference Number	Price
25/25	40642.2040.05.0404.32	1284 €
25/40	40642.2040.05.0406.32	1375 €
25/50	40642.2040.05.0407.32	1383 €
25/65	40642.2040.05.0408.32	1481 €
25/80	40642.2040.05.0409.32	1692 €
40/40	40642.2040.05.0606.32	1548 €
40/50	40642.2040.05.0607.32	1638 €
40/65	40642.2040.05.0608.32	1658 €
40/80	40642.2040.05.0609.32	1845 €
50/50	40642.2040.05.0707.32	1614 €
50/65	40642.2040.05.0708.32	1710 €
50/80	40642.2040.05.0709.32	1894 €
50/100	40642.2040.05.0710.32	2401 €

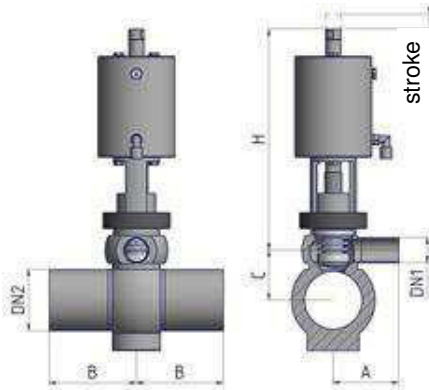


# Aseptic Valves



## Aseptic Sampling Valve - piggable

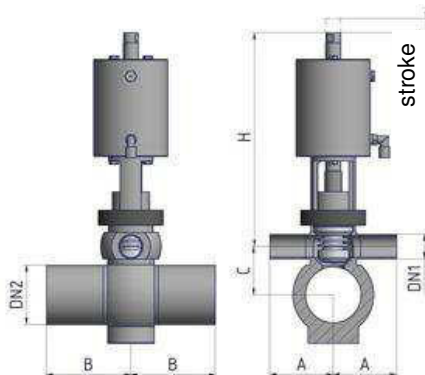
pneumatic – air to open-spring to close NC



DN1	DN2	A	B	C	H	Stroke	DN1	DN2
25	25	50	50	37	255	7	29 x 1,5	29 x 1,5
25	40	50	60	43	255	7	29 x 1,5	41 x 1,5
25	50	50	80	49	255	7	29 x 1,5	53 x 1,5
25	65	50	100	57	255	7	29x 1,5	70 x 2
25	80	50	125	54,5	255	7	29 x 1,5	85 x 2
40	40	60	60	46	262	9	41 x 1,5	41 x 1,5
40	50	60	80	52	262	9	41 x 1,5	53 x 1,5
40	65	60	100	60	262	9	41 x 1,5	70 x 2
40	80	60	125	67,5	262	9	41 x 1,5	85 x 2
50	50	80	80	60	314	12	53 x 1,5	53 x 1,5
50	65	80	100	66	314	12	53 x 1,5	70 x 2
50	80	80	125	73,5	314	12	53 x 1,5	85 x 2
50	100	80	150	83	314	12	53 x 1,5	104x2

## Aseptic Straight-Way Valve - piggable

pneumatic – air to open-spring to close NC – with rinsing inlet



DN1	DN2	A	B	C	H	Stroke	DN1	DN2
25	25	50	50	37	255	7	29 x 1,5	29 x 1,5
25	40	50	60	43	255	7	29 x 1,5	41 x 1,5
25	50	50	80	49	255	7	29 x 1,5	53 x 1,5
25	65	50	100	57	255	7	29x 1,5	70 x 2
25	80	50	125	54,5	255	7	29 x 1,5	85 x 2
40	40	60	60	46	262	9	41 x 1,5	41 x 1,5
40	50	60	80	52	262	9	41 x 1,5	53 x 1,5
40	65	60	100	60	262	9	41 x 1,5	70 x 2
40	80	60	125	67,5	262	9	41 x 1,5	85 x 2
50	50	80	80	60	314	12	53 x 1,5	53 x 1,5
50	65	80	100	66	314	12	53 x 1,5	70 x 2
50	80	80	125	73,5	314	12	53 x 1,5	85 x 2
50	100	80	150	83	314	12	53 x 1,5	104x2



## Aseptic Valves



### Aseptic Sampling Valve - piggable

pneumatic – air to open-spring to close NC – PTFE bellows

DN1/DN2	Reference Number	Price
25/25	40610.2020.05.0404.32	1459 €
25/40	40610.2020.05.0406.32	1552 €
25/50	40610.2020.05.0407.32	1558 €
25/65	40610.2020.05.0408.32	1657 €
25/80	40610.2020.05.0409.32	1869 €
40/40	40610.2020.05.0606.32	1703 €
40/50	40610.2020.05.0607.32	1715 €
40/65	40610.2020.05.0608.32	1812 €
40/80	40610.2020.05.0609.32	2001 €
50/50	40610.2020.05.0707.32	1768 €
50/65	40610.2020.05.0708.32	1864 €
50/80	40610.2020.05.0709.32	2049 €
50/100	40610.2020.05.0710.32	2637 €

### Aseptic Straight-Way Valve - piggable

pneumatic – air to open-spring to close NC – PTFE bellows

DN1/DN2	Reference Number	Price
25/25	40610.2040.05.0404.32	1505 €
25/40	40610.2040.05.0406.32	1596 €
25/50	40610.2040.05.0407.32	1604 €
25/65	40610.2040.05.0408.32	1703 €
25/80	40610.2040.05.0409.32	1915 €
40/40	40610.2040.05.0606.32	1780 €
40/50	40610.2040.05.0607.32	1792 €
40/65	40610.2040.05.0608.32	1889 €
40/80	40610.2040.05.0609.32	2078 €
50/50	40610.2040.05.0707.32	1850 €
50/65	40610.2040.05.0708.32	1946 €
50/80	40610.2040.05.0709.32	2131 €
50/100	40610.2040.05.0710.32	2719 €



# Aseptic Valves



## Aseptic Sampling Valve - piggable

pneumatic – air to open-spring to close NC – three-position actuator

DN1	DN2	E	F	Stroke	DN1	DN2
15	25	100	38	5	19 x 1,5	29 x 1,5
15	40	120	41,5	5	19 x 1,5	41 x 1,5
15	50	140	47,5	5	19 x 1,5	53 x 1,5
15	65	160	56	5	19 x 1,5	70 x 2
15	80	180	64,5	5	19 x 1,5	85 x 2
15	100	200	73	5	19 x 1,5	104 x 2

## Aseptic Straight-Way Valve - piggable

pneumatic – air to open-spring to close NC - three-position actuator – rinsing inlet

DN1	DN2	E	F	Stroke	DN1	DN2
15	25	100	38	5	19 x 1,5	29 x 1,5
15	40	120	41,5	5	19 x 1,5	41 x 1,5
15	50	140	47,5	5	19 x 1,5	53 x 1,5
15	65	160	56	5	19 x 1,5	70 x 2
15	80	180	64,5	5	19 x 1,5	85 x 2
15	100	200	73	5	19 x 1,5	104 x 2



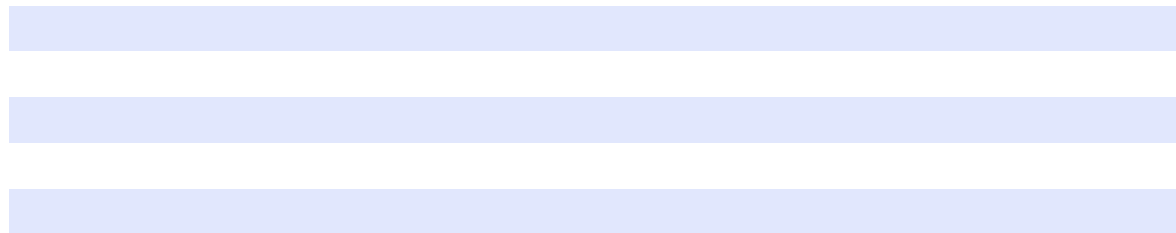
# Aseptic Valves



## Aseptic Sampling Valve - piggable

pneumatic – air to open-spring to close NC – three-position actuator - PTFE bellows

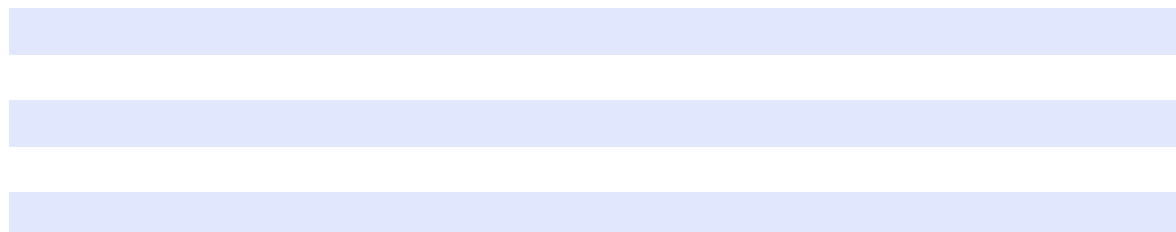
DN1/DN2	Reference Number	Price
15/25	40671.2020.05.0204.32	1322 €
15/40	40671.2020.05.0206.32	1324 €
15/50	40671.2020.05.0207.32	1327 €
15/65	40671.2020.05.0208.32	1380 €
15/80	40671.2020.05.0209.32	1396 €
15/100	40671.2020.05.0210.32	1415 €



## Aseptic Straight-Way Valve - piggable

pneumatic – air to open-spring to close NC – three-position actuator - PTFE bellows

DN1/DN2	Reference Number	Price
15/25	40671.2040.05.0204.32	1362 €
15/40	40671.2040.05.0206.32	1364 €
15/50	40671.2040.05.0207.32	1367 €
15/65	40671.2040.05.0208.32	1420 €
15/80	40671.2040.05.0209.32	1436 €
15/100	40671.2040.05.0210.32	1455 €



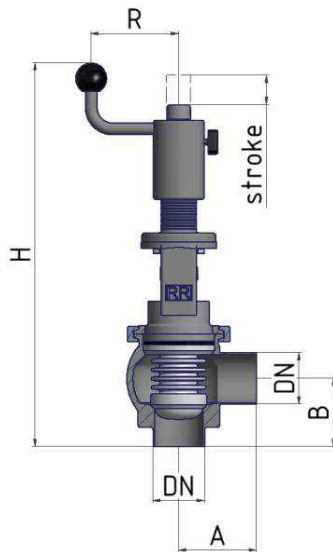


# Aseptic Valves



## Aseptic Regulating Right Angle Valve

manual with crank handle

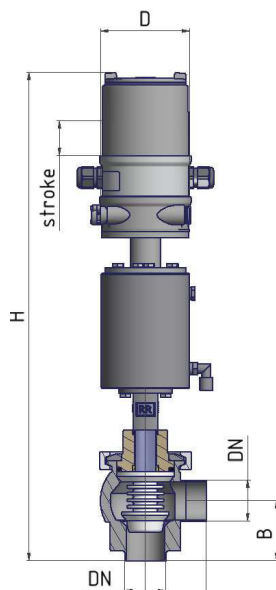


DN	Pipe	A	B	R	H	Stroke	kg
25	29 x 1,5	50	50	73	310	7	3,1
40	41 x 1,5	60	60	73	330	10	5,3
50	53 x 1,5	80	70	90	400	12	5,7
65	70 x 2	100	80	90	415	16	7,6
80	85 x 2	125	90	90	445	18	10,3
100	104 x 2	150	100	90	465	23	14,3
1"	25,4 x 1,65					7	3,1
1 1/2"	38,1 x 1,65	In case of order				9	5,3
2"	50,8 x 1,65	you get a 3D step file				12	5,7
2 1/2"	63,5 x 1,65	for your design department.				15	7,6
3"	76,2 x 1,65					18	10,3
4"	101,6 x 2,11					23	14,3

In case of order, details to working conditions are required like media, viscosity, temperature, incoming and outgoing pressure resp. pressure loss and flow quantity.

## Aseptic Regulating Right Angle Valve

pneumatic – air to open-spring to close NC – PTFE bellows - for Bürkert positioner



DN	Pipe	A	B	D	H	stroke	kg
25	29 x 1,5	50	50	90	475	7	5,1
40	41 x 1,5	60	60	90	505	10	6,2
50	53 x 1,5	80	70	110	560	12	10,4
65	70 x 2	100	80	133	610	16	15,2
80	85 x 2	125	90	172	655	18	24,7
100	104 x 2	150	100	172	840	23	28,6
1"	25,4 x 1,65					7	5,1
1 1/2"	38,1 x 1,65	In case of order				9	6,2
2"	50,8 x 1,65	you get a 3D step file				12	10,4
2 1/2"	63,5 x 1,65	for your design department.				16	15,2
3"	76,2 x 1,65					18	24,7
4"	101,6 x 2,11					23	28,6

Weights without adapter and positioner.



# Aseptic Valves



## Aseptic Regulating Right Angle Valve

manual with crank handle - wit PTFE bellows

DN	Reference Number	Price
25	41040.2000.05.0004.32	808 €
40	41040.2000.05.0006.32	1125 €
50	41040.2000.05.0007.32	1345 €
65	41040.2000.05.0008.32	1697 €
80	41040.2000.05.0009.32	1966 €
100	41040.2000.05.0010.32	2855 €
1"	41040.2000.05.0024.32	808 €
1 1/2"	41040.2000.05.0026.32	1125 €
2"	41040.2000.05.0027.32	1345 €
2 1/2"	41040.2000.05.0028.32	1697 €
3"	41040.2000.05.0029.32	1966 €
4"	41040.2000.05.0030.32	2855 €

In case of order, details to working conditions are required like media, viscosity, temperature, incoming and outcoming pressure resp. pressure loss and flow quantity.

## Aseptic Regulating Right Angle Valve

pneumatic – air to open-spring to close NC– PTFE bellows – for **Bürkert positioner**

DN	Reference Number	Price
25	41010.2000.05.0004.32	1097 €
40	41010.2000.05.0006.32	1207 €
50	41010.2000.05.0007.32	1452 €
65	41010.2000.05.0008.32	1873 €
80	41010.2000.05.0009.32	2559 €
100	41010.2000.05.0010.32	3488 €
1"	41010.2000.05.0024.32	1097 €
1 1/2"	41010.2000.05.0026.32	1207 €
2"	41010.2000.05.0027.32	1452 €
2 1/2"	41010.2000.05.0028.32	1873 €
3"	41010.2000.05.0029.32	2559 €
4"	41010.2000.05.0030.32	3488 €

plus surcharge for adapter and positioner 8692 or 8694 – see chapter 9 control tops



# Aseptic Valves



The **RIEGER Aseptic Mix Proof Valve N7** ensures the reliable separation of process lines for liquid products by means of the SIP capable leakage space as well in type „piping“ as in type „tank“. CIP/SIP valves control the steam inlet and outlet in the leakage space.

The outstanding aseptic properties are achieved by **hermetic sealing** from the environment.

A temperature surveillance in the leakage chamber is available upon request.

It is important to note, that the full spring force is applied as well in rest position as when rinsing the valve.

## Your advantages

<b>Design</b>	one-piece valve body made from solid bar short design less welding seams few seals in product area
<b>Absolute product protection</b>	safe media separation by leakage space controlled leakage chamber both valve disks are liftable separately
<b>Serviceable maintenance</b>	change of seals without special tools less standing time easy cleaning
<b>Efficiency</b>	long life of the PTFE bellows low maintenance costs with brackets for proximity switches on main actuator

## Technical Data

<b>Material</b>	in product contact	1.4404/AISI316L
	optional	1.4435/AISI316L
	no product contact	1.4301/AISI304
<b>Seals according to FDA</b>	bellows	PTFE
	O-rings	EPDM

<b>Temperatures maximum</b>		EPDM	PTFE
	operating temperature	130°C* (266 °F)	121°C* (250 °F)
	sterilizing temperature	150°C* (300 °F)	135°C* (275 °F)
	* dependent upon operating conditions		* short-time (approx. 20 min)

<b>Operating pressure</b>	product closing for type piping		max. 6 bar
	type tank		max. 4 bar
	control air pressure		min. 6 bar - max. 10 bar
<b>Surfaces</b>	in product contact		Ra <= 0,8 µm
	non product contact		Ra <=1,6 µm

<b>Connections</b>	DIN 11850-R2 (DIN 11866 A) O.D. tube (DIN 11866 C)
--------------------	---



for piping



for tank

### unique on the market



**PTFE bellows  
with metal cap  
or with PEEK cap**  
resistant to granules  
i.e. fruit yoghurt;  
also available  
for valve tank type





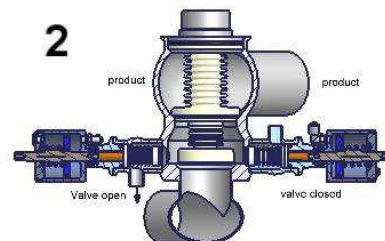
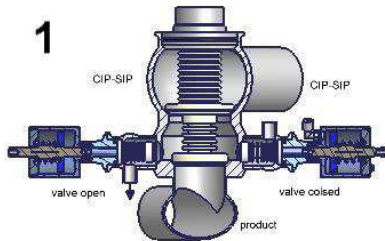
## Aseptic Mix Proof Valve N7 for Piping

scheme

### aseptic process valve

L3 - compressed air connection for cadencing the upper valve disc

L2 - compressed air connection for cadencing the lower valve disc

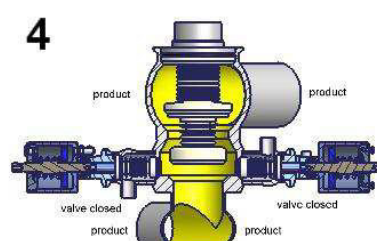
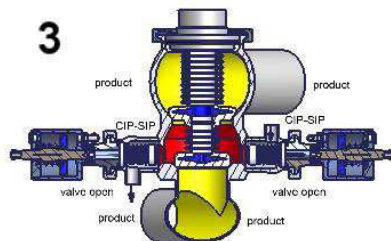


1- CIP-cleaning and SIP-sterilization of the upper valve housing including valve seat and safety space - upper valve disc is lifted cycle-wise

2- CIP-cleaning and SIP-sterilization of the lower valve housing including valve seat and safety space - lower valve disc is lifted cycle-wise

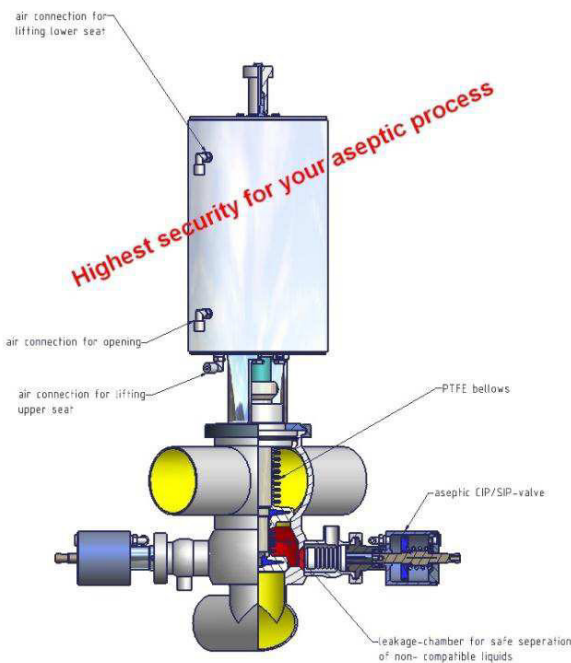
Ventil Zu

valve open



3- CIP-cleaning and SIP-sterilization of the safety space

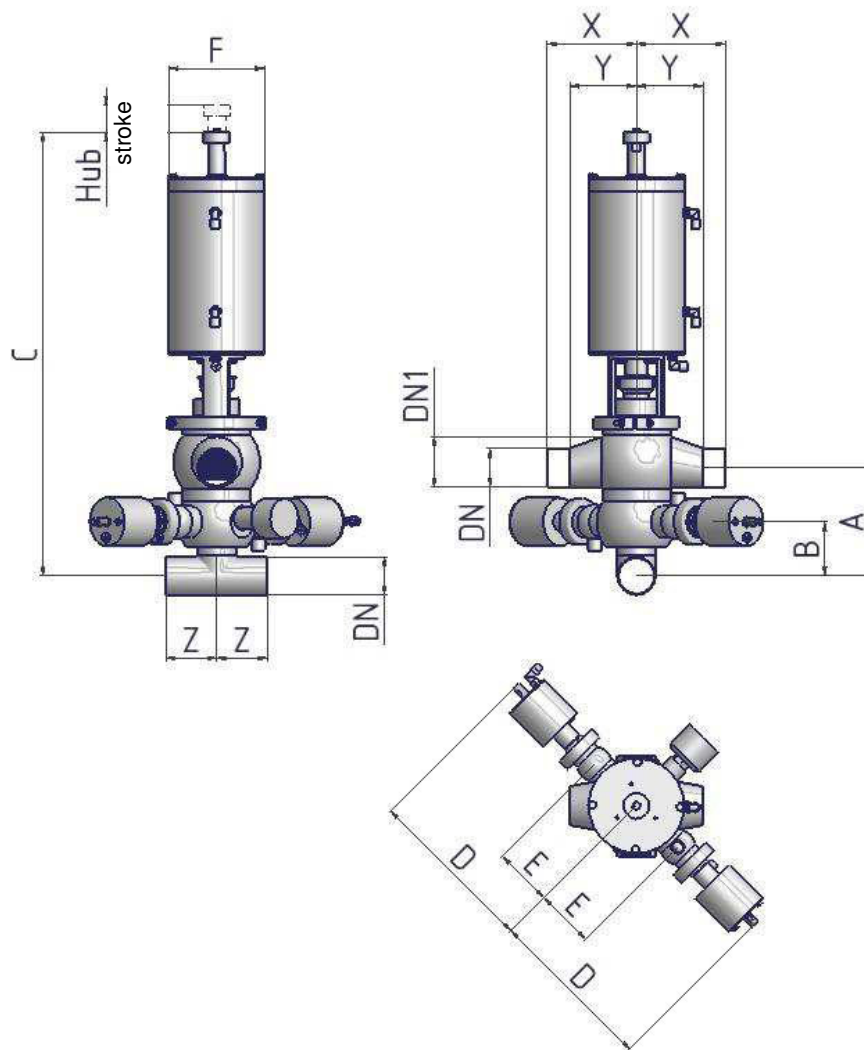
4- compressed air connection for opening both of the valve discs





## Aseptic Mix Proof Valve N7 for Piping

### Dimensions



X = dimension for clusters (according to customer's request)

DIN	A	B	C	D	E	ØF	(X)	Y	Z	Stroke	DN1	kg
40(41x1,5)	135	72	605	240	75	133	(110)	80	60	16	50	28
50(53x1,5)	150	76	635	245	81	133	(120)	92	70	20	65	29
65(70x2)	170	83	715	255	92	168	(135)	96	80	22	80	31
80(85x2)	180	89	750	265	100	168	(150)	118	90	27	100	

### CIP-SIP valves with weld end DN 15 DIN (19 x 1,5)



# Aseptic Valves



## Aseptic Mix Proof Valve N7 for Piping

pneumatic – air to open-spring to close NC

DIN	PTFE bellows		PTFE bellows/metal cap/EPDM O-rings	
	Reference Number	Price	Reference Number	Price
40	30714.2527.05.0606.32	3930 €	30714.2527.15.0606.32	4385 €
50	30714.2528.05.0707.32	4198 €	30714.2528.15.0707.32	4684 €
65	30714.2529.05.0808.32	5186 €	30714.2529.15.0808.32	5786 €
80	30714.2521.05.0909.32	5540 €	30714.2521.15.0909.32	6164 €
100			30714.2522.15.1010.32	8882 €

PTFE bellows/PEEK cap/EPDM O-rings		
DIN	Reference Number	Price
40	30714.2527.95.0606.32	4385 €
50	30714.2528.95.0707.32	4684 €
65	30714.2529.95.0808.32	5786 €
80	30714.2521.95.0909.32	6164 €
100	30714.2522.95.1010.32	8882 €

On customer's request, the steam/leakage valves DN 15 DIN (19 x 1,5) are available with PTFE-bellows or with O-ring-sealing in the types „air to open/spring to close“ or „air to close/spring to open“.

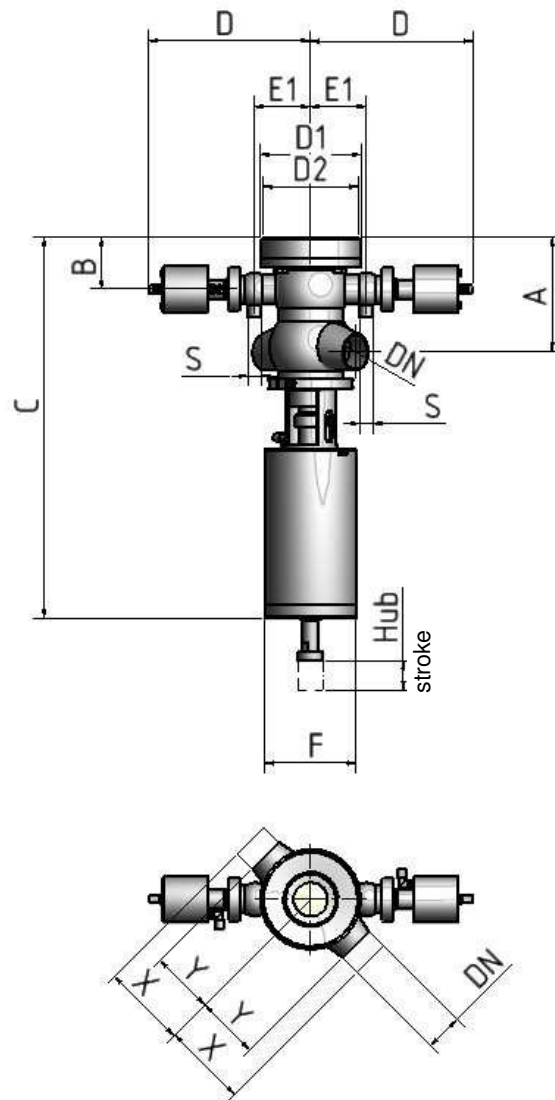
Available versions of CIP valves in type „piping“:

steam valve:	token
PTFE air to open-spring to close NC – alignment „upwards“	5
O-ring air to open-spring to close NC – alignment „upwards“	7
Leakage valve:	
PTFE spring to open-air to close NO – alignment „downwards“	2
O-ring spring to open-air to close NO – alignment „downwards“	4



## Aseptic Mix Proof Valve N7 as Bottom Seat Valve

dimensions



X = dimension for clusters upon customer's request

DIN	A	B	D	D1	D2	E	S	X	Y	kg
40(41x1,5)	150	73	236	133	125	75	19 x 1,5	110	80	28
50(53x1,5)	166	75	242	146	138	81	19 x 1,5	122	92	29
65(70x2)	182	78	246	173	165	92	19 x 1,5	126	96	31
80(85x2)	upon request									

**Please note: suitable for maximum product pressure of 4 bar**



## Aseptic Mix Proof Valve N7 as Bottom Seat Valve

pneumatic – air to open-spring to close NC

DIN	PTFE bellows		Weld-in Flange	
	Reference Number	Price	Reference Number	Price
40	30712.2127.05.0606.32	4563 €	30710.0000.01.0006.31	164 €
50	30712.2128.05.0707.32	4591 €	30710.0000.01.0007.31	185 €
65	30712.2129.05.0808.32	5701 €	30710.0000.01.0008.31	192 €
80	30712.2121.05.0909.32	upon request	30710.0000.01.0009.31	270 €

with EPDM O-ring  
and screws

Valve prices are meant without weld-in flange.

**Weld-in flanges are  
not discountable.**

**Please note: suitable for maximum product pressure of 4 bar**

Upon customer's request, the steam/leakage valves DN 15 DIN (19 x 1,5) are available with PTFE-bellows or with O-ring-sealing in the types „air to open/spring to close NC“ or „spring to open/air to close NO“.

Available versions of CIP valves in type „tank“:

steam valve:	token
PTFE – air to open-spring to close NC – alignment „downwards“	<b>1</b>
O-ring- air to open-spring to close NC – alignment „downwards“	3
Leakage valve:	
PTFE – spring to open-air to close NO – alignment „downwards“	<b>2</b>
O-ring – spring to open-air to close NO – alignment „downwards“	4



# Aseptic Valves



The **RIEGER Aseptic Mix Proof Valve N13** combines the advantages of the hygienic mix proof valve N1 proven of long standing with those of the aseptic process valve N7.

The bellows hermetically seal against the environment. The double valve seat separates both process lines so that the mixing of two liquids is completely prevented.

The new construction of the bellows renounces of CIP-valves and a leakage chamber and so allows a very dense valve.

The lower as well as the upper valve disk may be lifted separately. The valve may be cleaned and sterilized in "open" and in "closed"-position.

## Your advantages

<b>Design</b>	one-piece valve body from solid bar absolutely dead space free completely draining less seams in product area leakage-free liftable available as tank bottom seat version	
<b>Absolute product safety</b>	<b>water hammer safe up to 20 bar</b> against mixing of cleaning agent with product by means of double valve seat locking mechanism rinsable and sterilizable <b>vacuum-safe</b>	
<b>Maintenance</b>	Actuator can be dismantled upwards completely in one piece.	
<b>Efficiency</b>	long life of the PTFE-bellows lows maintenance costs	
<b>Material</b>	in product contact	1.4404/AISI316L
	optional	1.4435/AISI316L
	non product contact	1.4301/AISI304
<b>Seals</b>	bellows	PTFE
	O-rings	EPDM
<b>Temperatures maximum</b>	operating temperature	130 °C* (266 °F)
	sterilizing temperature	121 °C* (250 °F)
		150 °C* (300 °F)
		135 °C* (275 °F)
<b>Operating pressure</b>	closing pressure	short-time (ca. 20 min) max. 6 bar (87 psi)
	control air pressure	min 6 bar (87 psi) - max. 10 bar (145 psi)
<b>Surfaces</b>	in product contact	Ra <= 0,8 µm
	non product contact	Ra <=1,6 µm

\* dependent upon operating conditions



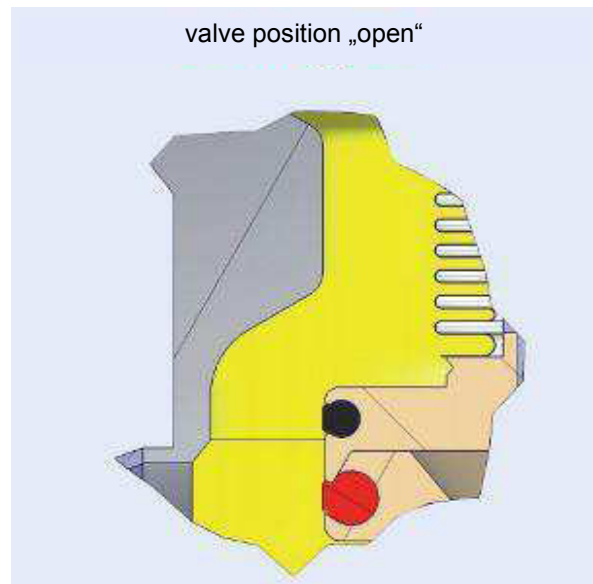
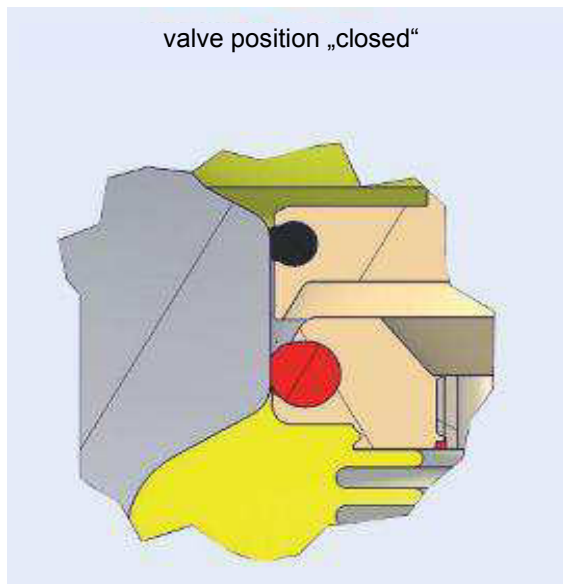
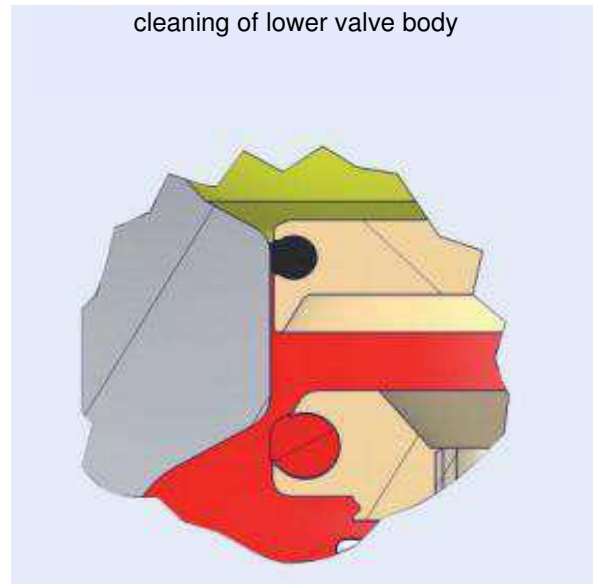
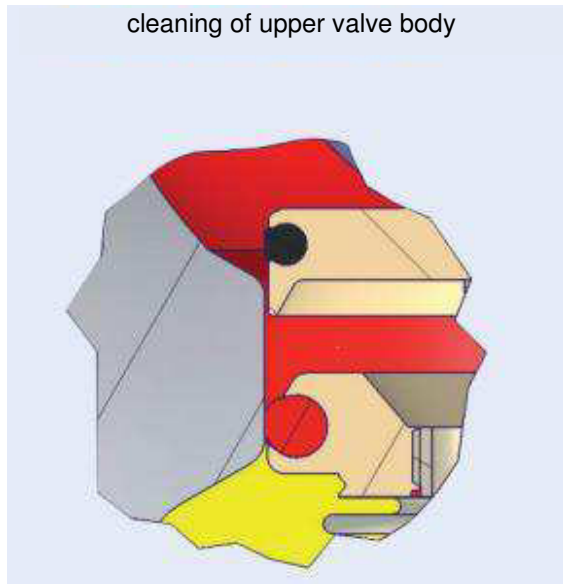
patented





## Aseptic Mix Proof Valve N13

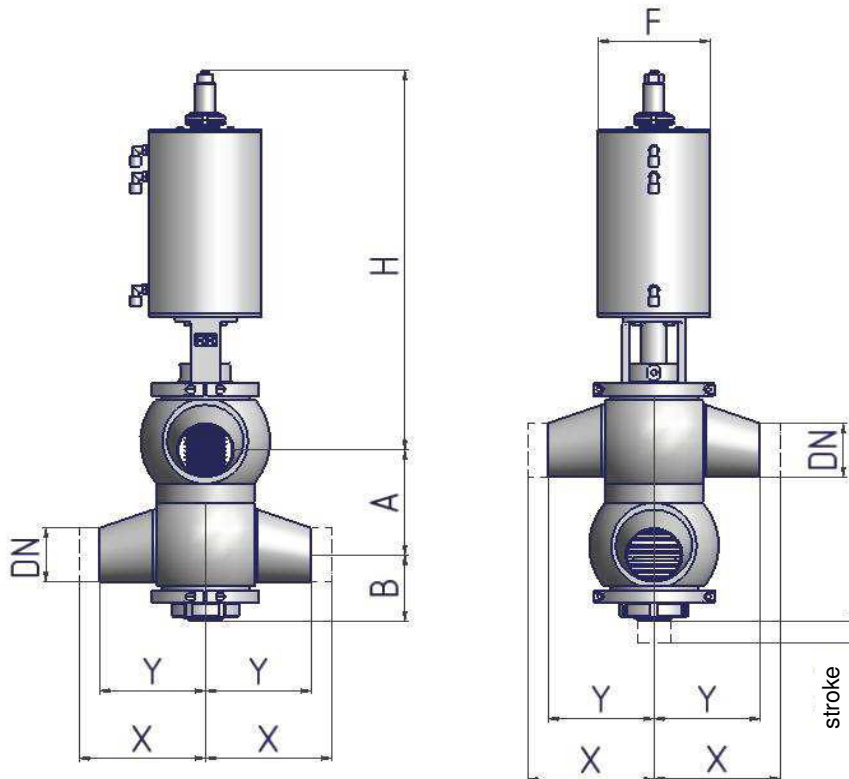
schemes





## Aseptic Mix Proof Valve N13.04.400

dimensions



X = dimension for clusters (according to customer's request)

DIN	A	B	H	F	Y	Stroke	kg
40	125	73	444	111	137	32	
50	125	79	438	111	104	32	33
65	138	94	480	138	106	36	33
80	145,5	94	473	138	125	36	33
100	137	103	505	168	150	36	

DN 50 – DN 80: Valve body DN 80

DN 50 and DN 65 with excentric reducers DN 80/DN 50 resp. DN 80/DN 65





# Aseptic Valves



## Aseptic Mix Proof Valve N13.04.400

pneumatic – air to open-spring to close NC

### PTFE bellows

DIN	Reference Number	Price
40	31301.2408.01.0606.32	3750 €
50	31301.2409.01.0707.32	3750 €
65	31301.2409.01.0808.32	3750 €
80	31301.2409.01.0909.32	3750 €
100	31301.2401.01.1010.32	5600 €

DIN	Pipe
40	41 x 1,5
50	53 x 1,5
65	70 x 2
80	85 x 2
100	104 x 2

### Gasket Kit Product Side

40	upon request	
50-80	5006787	908 €
100	upon request	



# Aseptic Valves



## Gasket Kits for Aseptic Mix Proof Valves N7

for type „piping“



DIN	Reference Number	Price
<b>PTFE bellows</b>		
40	5001729	620 €
50	5001731	763 €
65	5002672	798 €
80	5004387	upon
100	5005122	request

Silicone O-ring behind bellows non product contact – included in price



DIN	Reference Number	Price
<b>PTFE bellows/metal cap/EPDM O-rings</b>		
40	5005121	847 €
50	5005120	909 €
65	5005117	951 €
80	5005119	1013 €
100	5005118	1136 €

Silicone O-ring behind bellows non product contact – included in price



DIN	Reference Number	Price
<b>PTFE bellows/PEEK-cap/EPDM O-rings</b>		
40	5006983	847 €
50	5006984	909 €
65	5005985	951 €
80	5006986	1013 €

Silicone O-ring behind bellows non product contact – included in price

909 €

951 €

for type “tank“



DIN	Reference Number	Price
<b>PTFE bellows</b>		
40	5004865	880 €
50	5001587	947 €
65	5004973	1125 €
80	5005126	upon request

Silicone O-ring behind bellows non product contact – included in price



# Aseptic Valves



## Gasket Kits for Aseptic Mix Proof Valve N7

for aseptic CIP/SIP valve DN 15



Material	Reference Number	Price
Seal kit product side		
PTFE	5001591	146 €
Silicone O-ring behind bellows non product contact – included in price		

for hygienic CIP/SIP valve DN 15



Material	Reference Number	Price
Seal kits product side		
EPDM	5001589	44 €
Viton	5005127	67 €



# Aseptic Valves



## Gasket Kits

product side

PTFE bellows			Metal bellows	
DIN	Reference Number	Price	Reference Number	Price
10-15	5004740	115 €		
20	5001854	117 €		
25	5001165	124 €	5001434	318 €
40	5001213	138 €	5001806	344 €
50	5001327	218 €	5001436	358 €
65	5001211	280 €	5001438	389 €
80	5001209	395 €	5002077	401 €
100	5001220	571 €	5002012	upon request
<b>for right angle valve L-type</b>				with
with Silicone O-ring behind bellows	<b>double right angle T-type</b>		EPDM	
-no product contact-	<b>cross valves</b>		O-rings	
<b>straight-way valves</b>				

## Gasket Kits

EPDM O-rings for metal bellows

DIN	Reference Number	Price
25	5001803	15 €
40	5001808	18 €
50	5000016	21 €
65	5001805	23 €
80	5002079	24 €
100	5002014	29 €



# Aseptic Valves



## Gasket Kits

product side

### PTFE bellows with EPDM O-ring

DIN	Reference Number	Price
25	5005128	342 €
40	5003355	365 €
50	5001266	480 €
65	5001440	512 €
80	5001371	725 €
100	5001369	933 €

### for Change Over Valves

with Silicone O-ring behind bellows

-no product contact-

## Gasket Kits

product side

### Bottom Seat Valve

### Inclined Seat Valve

DIN	Reference Number	Price	Reference Number	Price
10	5002375	150 €	see chapter 6	
15	5002375	150 €	5001878	146 €
20	5002375	150 €	5001878	146 €
25	5001718	188 €	5004307	183 €
40	5001720	222 €	5004308	217 €
50	5001626	285 €	5005696	280 €
65	5001974	466 €	5004610	461 €
80	5003685	682 €	5005566	674 €
100	5005697	1047 €	5005129	1037 €

PTFE bellows with EPDM O-ring

*for ISO upon request*

PTFE bellows with EPDM O-ring

with Silicone O-ring behind bellows – no product contact

with EPDM O-ring for weld-in flange



## O-Ring for Weld-in Flange for Bottom Seat Valve

EPDM

DIN	Dimensions	Reference Number	Price
10-20	32 x 3	1000171	4,45 €
25	50 x 5	1001206	4,90 €
40	58 x 5	1000115	5,10 €
50	72 x 5	1001208	6,90 €
65	90 x 5	1001491	7,95 €
80	100 x 5	1000812	9,70 €
100	130 x 5	1001401	12,80 €

other sealing materials upon request



# Aseptic Valves

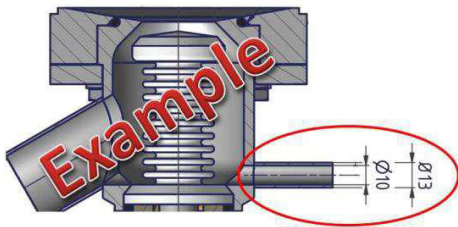


## Rinsing Port

for bottom seat valves

for all sizes

Ø13 mm x 1,5 mm



Reference Number

Price

9000000003899

85 €

Material: 1.4404

other rinsing inlet sizes and materials upon request

## Weld-in Devices for Weld-in Flanges

for bottom seat valves



DIN

Reference Number

Price

kg

10-20

5005332

144 €

0,7

25

5005615

165 €

1,0

40

5005616

181 €

1,3

50

5005617

214 €

3,5

65

5005618

235 €

4,5

80

5005516

250 €

5,1

100

5005614

283 €

6,8

Material: Aluminium

**not discountable**

for protection of valve seat

almost indefinitely reusable if used properly

more details upon request

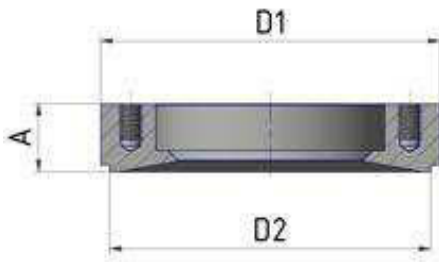


# Aseptic Valves



## Weld-in Flanges

for bottom seat valve – with EPDM O-ring



DIN	Reference Number	D1	D2	A	Price	ISO	kg
10-20	40700.0000.01.0003.31	75	68	16,5	62 €	10-15	1,0
25	40700.0000.01.0004.31	108	100	23	74 €	20	1,6
40	40700.0000.01.0006.31	133	125	29	118 €	32	1,8
50	40700.0000.01.0007.31	146	138	29	133 €	40-50	2,2
65	40700.0000.01.0008.31	173	165	30	138 €	65	3,0
80	40700.0000.01.0009.31	186	176	33,5	194 €	80	3,4
100	40700.0000.01.0010.31	217	209	34	225 €	100	4,5

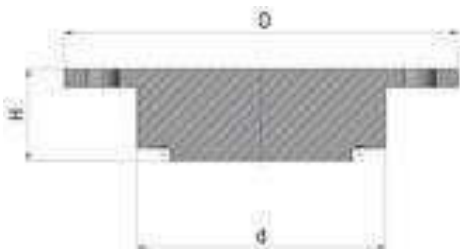
Material: 1.4404

for tank wall thickness 3 mm

for other wall thickness upon request

## Blind Flanges (= Counter Parts to Weld-in Flanges)

for bottom seat valve – with EPDM O-ring



DIN	Reference Number	D	d	H	Price	kg
10-20	5004640	75	50	20,9	62 €	0,9
25	5004620	108	71	25,8	74 €	1,5
40	5003009	133	84	30,6	118 €	1,7
50	5003005	146	98	30,6	133 €	2,1
65	5003006	173	119	31,1	138 €	2,8
80	5003007	186	138	35	194 €	3,2
100	5003008	217	167	35	225 €	4,2

Material: 1.4404

not discountable



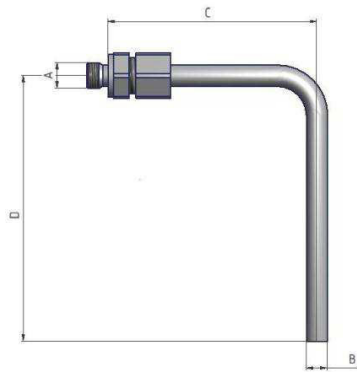


# Aseptic Valves



## Leakage Drain

for leakage ports



Inch	Reference number	Price	
1/8"	5030018	51 €	
A	B	C	D
1/8"	8 x 1	78,5	100

not discountable